



INDEX

SECTION 7 - PORCELAIN & POLYMER CUTOUTS

PORCELAIN FUSE CUTOUTS 15 KV -----	7-1
PORCELAIN FUSE CUTOUTS 27 KV-----	7-2
PORCELAIN LOADBEAK CUTOUTS 15 KV-----	7-3
PORCELAIN LOADBEAK CUTOUTS 15/27 KV-----	7-4
FUSE LINKS TYPE K -----	7-5
FUSE LINKS TYPE H -----	7-6
FUSE LINKS TYPE T -----	7-7
POLYMER FUSE CUTOUTS 15 KV -----	7-8
POLYMER FUSE CUTOUTS 27 KV -----	7-9
POLYMER LOADBREAK CUTOUTS 15 KV -----	7-10
POLYMER LOADBREAK CUTOUTS 15/27 KV-----	7-11

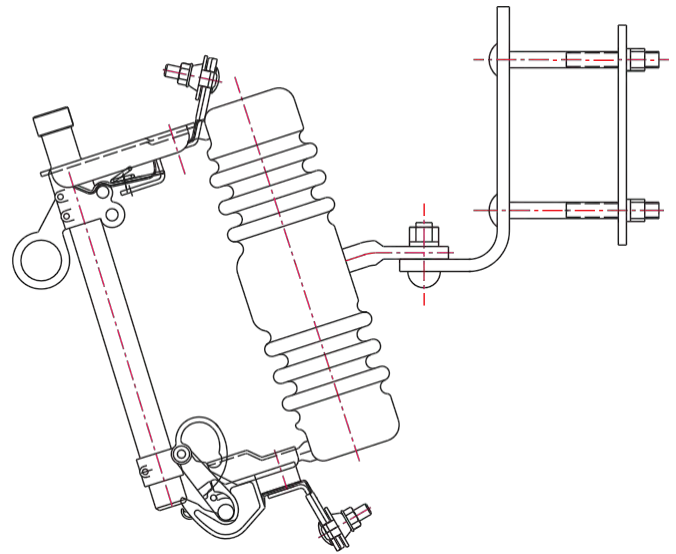


PORCELAIN FUSE CUTOUTS 15 KV

The "NLBC" fuse cutout is designed for the most severe working conditions, where electrical and mechanical stresses become critical from the interruption of high fault currents. Designed for outdoor use, the "NLBC" fuse cutout is of a heavy duty design enabling the unit to withstand high torsional forces in opening and closing operations with use of "load buster" tools. The "NLBC" fuse cutout is designed with a fuse link guide which also acts as a fuse holder locking device (flipper) which reduces the tension on the fuse link during the closing operations. Fastexpulsion of the link after melting within the fuse tube enables the "NLBC" fuse cutout to operate very efficiently at low fault currents as well. The "NLBC" fuse cutout is fully certified with all applicable IEEE/ANSI/IEC standards and will afford the user many years of trouble free usage.

DESIGN FEATURES

- High mechanical strength insulator.
- Tin plated parallel connectors.
- Stainless steel spring.
- "Load Buster" hook.
- Silver plated contacts.
- Fuse tube and cutout cast components in bronze.
- Steel hardware and NEMA bracket are galvanized per ANSI/IEEE/ASTM standards.



15KV(110KV) BIL

CATALOG NUMBER	MAXIMUM DESIGN VOLTAGE	CONTINUOUS CURRENT (AMPS)	INTERRUPTING CAPACITY (ASYM AMPS)	BIL	WEIGHT
NLBC-15-100P	15KV	100	10000	110KV	18LBS/8.18KG
NLBC-15-100/16P	15KV	100	16000	110KV	18LBS/8.18KG
NLBC-15-200P	15KV	200	12000	110KV	20LBS/9.09KG
NLBC-15-300P	15KV	300	12000	110KV	20LBS/9.09KG

ALL GPP Cutouts use standard interchangeable fuse barrels.

**Suffix: P = Parallel Groove Clamps; B = NEMA Bracket

To order small eyebolt (No. 8 sol. through 2/0 str.) change "P" to "E" (example: NLBC-15-100E) To order with NEMA Heavy Duty B Bracket add the suffix "B" to the catalog number.

(Example: NLBC-15-100PB).

To order the Extended Type Bracket add the suffix "X" . (2-5/8" Longer than the "B" bracket.)

(Example: NLBC-15-100-PX).

Cat. numbers NLBC-15-100/16P& NLBC-15-200P require Arc Shortening Rod.

Leakage Distance for 110kV BIL = 8.7".

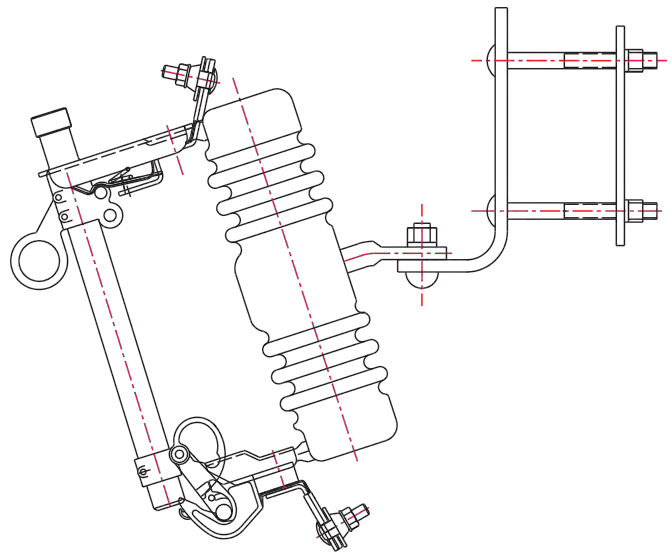


PORCELAIN FUSE CUTOUTS 27 KV

The “NLBC” fuse cutout is designed for the most severe working conditions, where electrical and mechanical stresses become critical from the interruption of high fault currents. Designed for outdoor use, the “NLBC” fuse cutout is of a heavy duty design enabling the unit to withstand high torsional forces in opening and closing operations with use of “load buster” tools. The “NLBC” fuse cutout is designed with a fuse link guide which also acts as a fuse holder locking device (flipper) which reduces the tension on the fuse link during the closing operations. Fastexpulsion of the link after melting within the fuse tube enables the “NLBC” fuse cutout to operate very efficiently at low fault currents as well. The “NLBC” fuse cutout is fully certified with all applicable IEEE/ANSI/IEC standards and will afford the user many years of trouble free usage.

DESIGN FEATURES

- High mechanical strength insulator.
- Tin plated parallel connectors.
- Stainless steel spring.
- “Load Buster” hook.
- Silver plated contacts.
- Fuse tube and cutout cast components in bronze.
- Steel hardware and NEMA bracket are galvanized per ANSI/IEEE/ASTM standards.



27 kV (125kV BIL)

Catalog Number**	Maximum Design Voltage	Continuous Current (Amps)	Interrupting Capacity (Asym Amps)	BIL	Weight
NLBC-27-100P	27 kV	100	8,000	125 kV	20lbs /9.09kg
NLBC-27-100/12P	27kV	100	12,000	125 kV	20lbs /9.09kg
NLBC-27-100/12P-150	27 kV	100	12,000	150 kV	20lbs /9.09kg
NLBC-27-200P	27 kV	200	10,000	125 kV	20lbs /9.09kg
NLBC-27-300P	27 kV	300	12,000	125 kV	20lbs /9.09kg

ALL GPP Cutouts use standard interchangeable fuse barrels.

**Suffix: P = Parallel Groove Clamps; N = NEMA Bracket

To order small eyebolt (No. 8 sol. through 2/0 str.) change “P” to “E” (example: NLBC-27-100E). To order with NEMA Bracket add the suffix “B” to the catalog number. (example: NLBC-27-100PB).

To order the Extended Type Bracket add the suffix “X” . (2-5/8” Longer than the “B” bracket.)

(Example: NLBC-27-100-PX).

Cat. numbers NLBC-27-100/12P& NLBC-27-200P require Arc Shortening Rod.

Leakage Distance for 125 kV BIL = 12.6”.

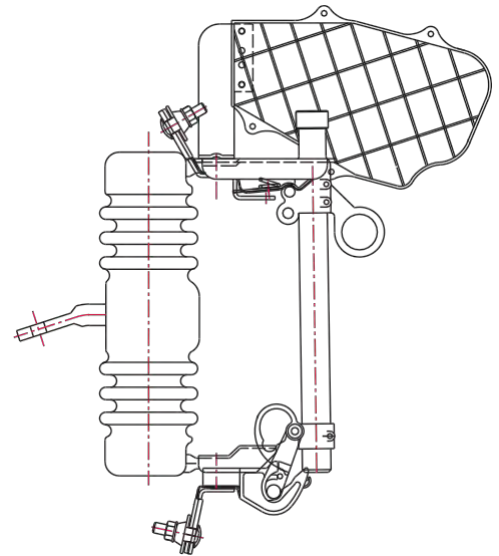
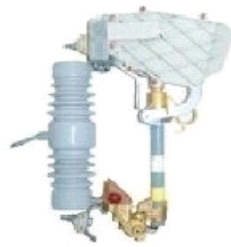


PORCELAIN LOADBEAK CUTOUTS 15 KV

The "LBC" fuse cutout is designed for the most severe working conditions, where stress from interruption in short circuits is a relevant factor. Designed for outdoor use, the "LBC" fuse cutout is equipped with husky steel parts to support high torsion forces in closing and opening with use of "Load Buster" tools. Designed with a fuse link guide which also acts as a fuse holder locking device (flipper) thus reducing the tension on the fuse link during the closing operations. Fast expulsion of the link after melting within the fuse tube, makes the "LBC" fuse cutout very efficient in low short circuit currents. Approved in all of the tests specified by ABNT/IEC/ANSI standards, the "LBC" fuse cutout is a proven product.

DESIGN FEATURES

- High mechanical strength insulator.
- Tin plated parallel connectors.
- Stainless steel spring.
- "Load Buster" hook.
- Silver plated contacts.
- Fuse tube and cutout cast components in bronze.
- Steel hardware and NEMA bracket are galvanized per ANSI/IEEE/ASTM standards.



15 kV (110KV BIL)

Catalog Number**	Maximum Design Voltage	Continuous Current (Amps)	Interrupting Capacity (Asym Amps)	BIL	ARC ROD.
LBC-15-100P	15KV	100	10000	110 kV	NO
LBC-15-100/16P	15KV	100	16000	110 kV	YES
LBC-15-200P	15KV	200	12000	110 kV	YES
LBC-15-300P	15KV	300	12000	110 kV	NO

ALL GPP Cutouts use standard interchangeable fuse barrels.

**Suffix: P = Parallel Groove Clamps; N = NEMA Bracket

To order small eyebolt (No. 8 sol. through 2/0 str.) change "P" to "E" (example: LBC-15-100 E).

To order with NEMA Bracket add the suffix "B" to the catalog number. (example: LBC-15-100PB).

To order the Extended Type Bracket add the suffix "X" . (2-5/8" Longer than the "B" bracket.)

(Example: LBC-15-100-PX).

Cat. numbers LBC-15-100/16Pand LBC-15-200P requires an Arc Shortening Rod. .

Leakage Distance for 110 kV BIL = 8.5".

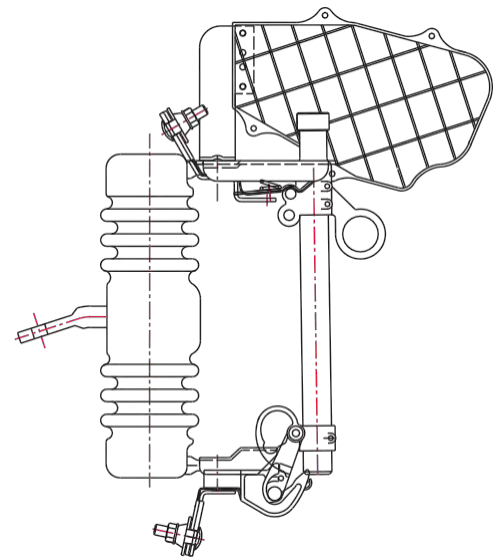
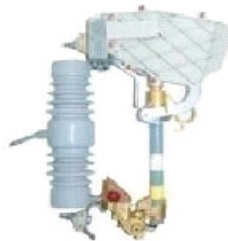


PORCELAIN LOADBEAK CUTOUTS 15/27 KV

The "LBC" fuse cutout is designed for the most severe working conditions, where stress from interruption in short circuits is a relevant factor. Designed for outdoor use, the "LBC" fuse cutout is equipped with husky steel parts to support high torsion forces in closing and opening with use of "Load Buster" tools. Designed with a fuse link guide which also acts as a fuse holder locking device (flipper) thus reducing the tension on the fuse link during the closing operations. Fast expulsion of the link after melting within the fuse tube, makes the "LBC" fuse cutout very efficient in low short circuit currents. Approved in all of the tests specified by ABNT/IEC/ANSI standards, the "LBC" fuse cutout is a proven product.

DESIGN FEATURES

- High mechanical strength insulator.
- Tin plated parallel connectors.
- Stainless steel spring.
- "Load Buster" hook.
- Silver plated contacts.
- Fuse tube and cutout cast components in bronze.
- Steel hardware and NEMA bracket are galvanized per ANSI/IEEE/ASTM standards.



15/27 kV (110KV BIL)

Catalog Number**	Maximum Design Voltage	Continuous Current (Amps)	Interrupting Capacity (Asym Amps)	BIL	ARC ROD.
LBC-15/27-100P	15/27KV	100	8000	125 kV	NO
LBC-15/27-100/12P	15/27KV	100	12000	125 kV	YES
LBC-15/27-200P	15/27KV	200	10000	125 kV	NO
LBC-15/27-300P	15/27KV	300	12000	125 kV	NO

ALL GPP Cutouts use standard interchangeable fuse barrels.

**Suffix: P = Parallel Groove Clamps; N = NEMA Bracket

To order small eyebolt (No. 8 sol. through 2/0 str.) change "P" to "E" . (example: LBC-15/27-100 E).
To order with NEMA Bracket add the suffix "B" to the catalog number. (example: LBC-15/27-100PB).
To order the Extended Type Bracket add the suffix "X" . (2-5/8" Longer than the "B" bracket.)
(Example: LBC-15/27-100-PX).

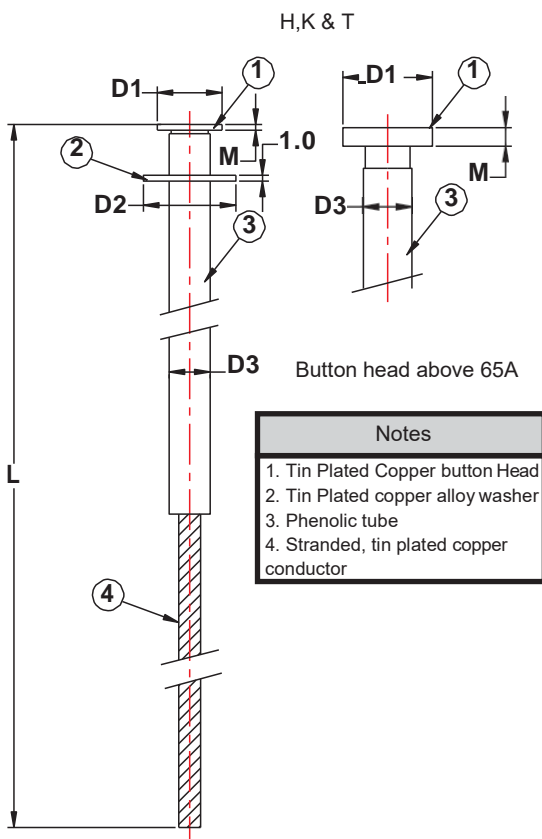
Cat. Numbers LBC-15/27-100/12P requires an Arc Shortening Rod*.

Leakage Distance for 125 kV BIL = 11".

FUSE LINKS TYPE K

Type K (Fast) Fuse Links For Distribution Systems through 27kV 23 Inch Length

Quality is important in the protection of overhead distribution systems and their equipment, particularly expensive transformers. These „NLBC” fuse links incorporate the most advanced technology available to yield a high quality, consistent product. These fuse links use approved and pre-tested materials and are the result of years of research in manufacturing and testing. These fuse links are manufactured as per the ABNT/ANSI/NEMA standards and tested with new state of the art procedures to ensure total quality and performance.



Catalog Number	AMPS	Dimension (Inches)			
		D1	D2	D3	M
UP-FL3K-1	1	0.50	0.75	0.30	0.08
UP-FL3K-2	2	0.50	0.75	0.30	0.08
UP-FL3K-3	3	0.50	0.75	0.30	0.08
UP-FL3K-4	4	0.50	0.75	0.30	0.08
UP-FL3K-5	5	0.50	0.75	0.30	0.08
UP-FL3K-6	6	0.50	0.75	0.30	0.08
UP-FL3K-8	8	0.50	0.75	0.30	0.08
UP-FL3K-10	10	0.50	0.75	0.30	0.08
UP-FL3K-12	12	0.50	0.75	0.30	0.08
UP-FL3K-15	15	0.50	0.75	0.30	0.08
UP-FL3K-20	20	0.50	0.75	0.30	0.08
UP-FL3K-25	25	0.50	0.75	0.30	0.08
UP-FL3K-30	30	0.50	0.75	0.30	0.08
UP-FL3K-40	40	0.50	0.75	0.30	0.08
UP-FL3K-50	50	0.50	0.75	0.30	0.16
UP-FL3K-65	65	0.75		0.40	0.16
UP-FL3K-80	80	0.75		0.40	0.16
UP-FL3K-100	100	0.75		0.40	0.16
UP-FL3K-140	140	1.00			0.16
UP-FL3K-200	200	1.00			0.16

DESIGN FEATURES

- Swaged compressed terminals—no welding
- High mechanical resistance
- Efficient short circuit current interruption
- High thermal and chemical stability
- Minimum variation of time x current characteristics during lifetime

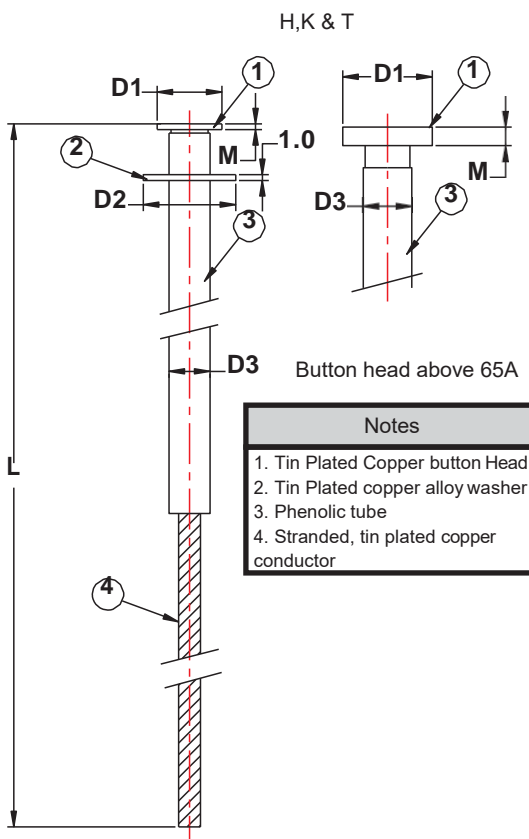
All UP-FL3K are type K (fast) removable button head Fuse Links. For Fuse Links with non-removable button head use item prefix: UP-FL11K-XX where XX is the desired amperage.

Use the suffix "-26" to specify the extended length (26" long), for example UP-FL3K-6-26

FUSE LINKS TYPE H

Type H (High Surge) Fuse Links For Distribution Systems through 27kV 23 Inch Length

Quality is important in the protection of overhead distribution systems and their equipment, particularly expensive transformers. These "NLBC" fuse links incorporate the most advanced technology available to yield a high quality, consistent product. These fuse links use approved and pre-tested materials and are the result of years of research in manufacturing and testing. These fuse links are manufactured as per the ABNT/ANSI/NEMA standards and tested with new state of the art procedures to ensure total quality and performance.



Catalog Number	AMPS	Dimension (Inches)			
		D1	D2	D3	M
UP-FL3H-1	1	0.50	0.75	0.30	0.08
UP-FL3H-2	2	0.50	0.75	0.30	0.08
UP-FL3H-3	3	0.50	0.75	0.30	0.08
UP-FL3H-4	4	0.50	0.75	0.30	0.08
UP-FL3H-5	5	0.50	0.75	0.30	0.08
UP-FL3H-6	6	0.50	0.75	0.30	0.08
UP-FL3H-8	8	0.50	0.75	0.30	0.08
UP-FL3H-10	10	0.50	0.75	0.30	0.08
UP-FL3H-12	12	0.50	0.75	0.30	0.08
UP-FL3H-15	15	0.50	0.75	0.30	0.08
UP-FL3H-20	20	0.50	0.75	0.30	0.08
UP-FL3H-25	25	0.50	0.75	0.30	0.08
UP-FL3H-30	30	0.50	0.75	0.30	0.08
UP-FL3H-40	40	0.50	0.75	0.30	0.08
UP-FL3H-50	50	0.50	0.75	0.30	0.16
UP-FL3H-65	65	0.75		0.40	0.16
UP-FL3H-80	80	0.75		0.40	0.16
UP-FL3H-100	100	0.75		0.40	0.16
UP-FL3H-140	140	1.00			0.16
UP-FL3H-200	200	1.00			0.16

DESIGN FEATURES

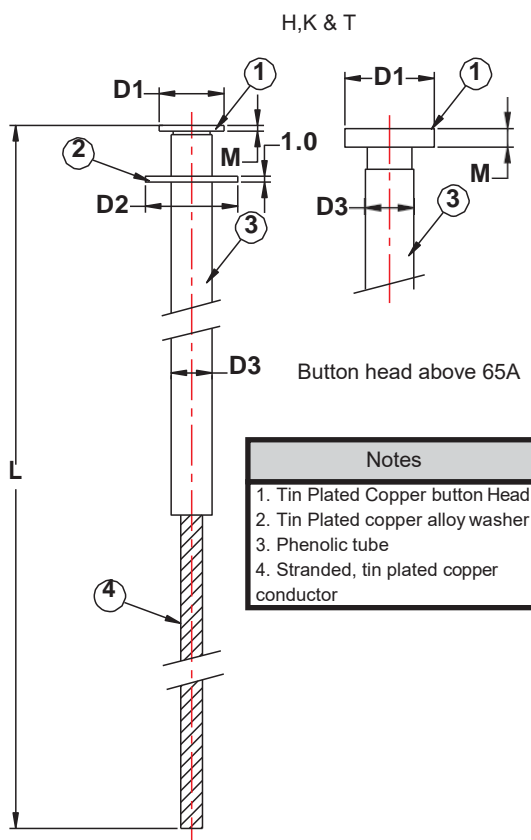
- Swaged compressed terminals—no welding
- High mechanical resistance
- Efficient short circuit current interruption
- High thermal and chemical stability
- Minimum variation of time x current characteristics during lifetime

All UP-FL3H are type H (high surge) removable button head Fuse Links. For Fuse Links with non-removable button head use item prefix: UP-FL11H-XX where XX is the desired amperage.

FUSE LINKS TYPE T

Type T (Slow) Fuse Links For Distribution Systems through 27kV 23 Inch Length

Quality is important in the protection of overhead distribution systems and their equipment, particularly expensive transformers. These "NLBC" fuse links incorporate the most advanced technology available to yield a high quality, consistent product. These fuse links use approved and pre-tested materials and are the result of years of research in manufacturing and testing. These fuse links are manufactured as per the ABNT/ANSI/NEMA standards and tested with new state of the art procedures to ensure total quality and performance.



Catalog Number	AMPS	Dimension (Inches)			
		D1	D2	D3	M
UP-FL3T-1	1	0.50	0.75	0.30	0.08
UP-FL3T-2	2	0.50	0.75	0.30	0.08
UP-FL3T-3	3	0.50	0.75	0.30	0.08
UP-FL3T-4	4	0.50	0.75	0.30	0.08
UP-FL3T-5	5	0.50	0.75	0.30	0.08
UP-FL3T-6	6	0.50	0.75	0.30	0.08
UP-FL3T-8	8	0.50	0.75	0.30	0.08
UP-FL3T-10	10	0.50	0.75	0.30	0.08
UP-FL3T-12	12	0.50	0.75	0.30	0.08
UP-FL3T-15	15	0.50	0.75	0.30	0.08
UP-FL3T-20	20	0.50	0.75	0.30	0.08
UP-FL3T-25	25	0.50	0.75	0.30	0.08
UP-FL3T-30	30	0.50	0.75	0.30	0.08
UP-FL3T-40	40	0.50	0.75	0.30	0.08
UP-FL3T-50	50	0.50	0.75	0.30	0.16
UP-FL3T-65	65	0.75		0.40	0.16
UP-FL3T-80	80	0.75		0.40	0.16
UP-FL3T-100	100	0.75		0.40	0.16
UP-FL3T-140	140	1.00			0.16
UP-FL3T-200	200	1.00			0.16

DESIGN FEATURES

- Swaged compressed terminals—no welding
- High mechanical resistance
- Efficient short circuit current interruption
- High thermal and chemical stability
- Minimum variation of time x current characteristics during lifetime

All UP-FL3T are type T (slow) removable button head Fuse Links. For Fuse Links with non-removable button head use item prefix: UP-FL11T-XX where XX is the desired amperage. Use the suffix "-26" to specify the extended length (26" long), for example UP-FL3T-6-26

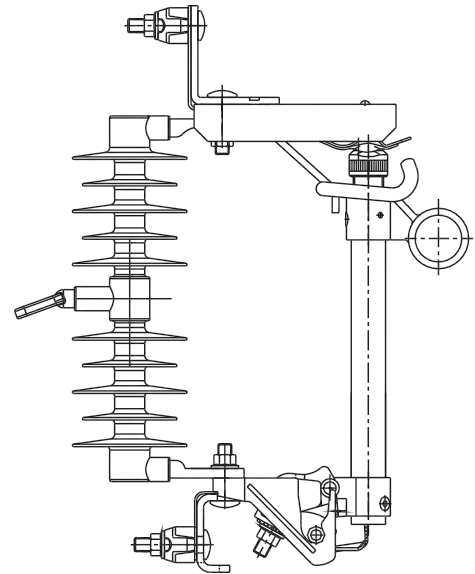


POLYMER FUSE CUTOUTS 15 KV

The "PNLBC" fuse cutout is designed for the most severe working conditions, where stress from interruption in short circuits is a relevant factor. Designed for outdoor use, the "PNLBC" fuse cutout is equipped with husky steel parts to support high torsion forces in closing and opening with use of "Load Buster" tools. Designed with a fuse link guide which also acts as a fuse holder locking device (flipper) thus reducing the tension on the fuse link during the closing operations. Fast expulsion of the link after melting within the fuse tube, makes the "PNLBC" fuse cutout very efficient in low short circuit currents. Approved in all of the tests specified by ABNT/IEC/ANSI standards, the "PNLBC" fuse cutout is a proven product.

DESIGN FEATURES

- * High mechanical strength insulator.
- * Tin plated parallel connectors.
- * Stainless steel spring.
- * "Load Buster" hook.
- * Silver plated contacts.
- * Fuse Tube and cutout cast components in bronze.
- * Steel hardware and NEMA bracket are galvanized per ANSI/IEEE/ASTM standards.



15KV(110KV) BIL

CATALOG NUMBER	MAXIMUM DESIGN VOLTAGE	CONTINUOUS CURRENT (AMPS)	INTERRUPTING CAPACITY (ASYM AMPS)	BIL	WEIGHT
PNLBC-15-100P	15KV	100	10000	110KV	9.6LBS/4.4KG
PNLBC-15-100/16P	15KV	100	16000	110KV	9.8LBS/4.5KG
PNLBC-15-200P	15KV	200	12000	110KV	10.4LBS/4.7KG
PNLBC-15-300P	15KV	300	12000	110KV	9.9LBS/4.5KG

ALL GPP Cutouts use standard interchangeable fuse barrels.

To order with a NEMA bracket, add a "B" to the end of the catalog number.

(Example: NLBC-15-100PB)

To order with an extended type bracket, add an "X" to the end of the catalog number.

(Example: NLBC-15-100PX)

This extended type bracket adds 2-5/8" more distance than the NEMA B bracket.

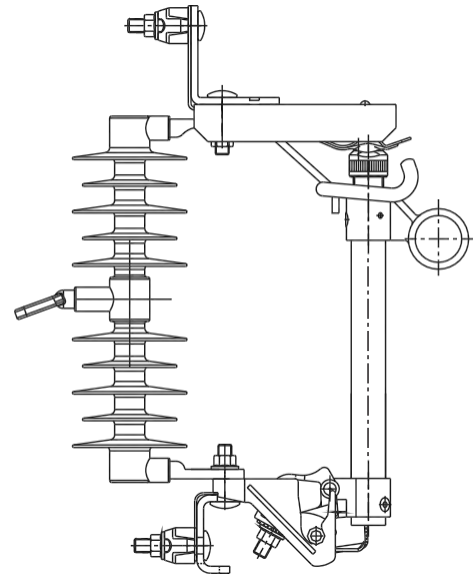


POLYMER FUSE CUTOUTS 27 KV

The "PNLBC" fuse cutout is designed for the most severe working conditions, where stress from interruption in short circuits is a relevant factor. Designed for outdoor use, the "PNLBC" fuse cutout is equipped with husky steel parts to support high torsion forces in closing and opening with use of "Load Buster" tools. Designed with a fuse link guide which also acts as a fuse holder locking device (flipper) thus reducing the tension on the fuse link during the closing operations. Fast expulsion of the link after melting within the fuse tube, makes the "PNLBC" fuse cutout very efficient in low short circuit currents. Approved in all of the tests specified by ABNT/IEC/ANSI standards, the "PNLBC" fuse cutout is a proven product.

DESIGN FEATURES

- * High mechanical strength insulator.
- * Tin plated parallel connectors.
- * Stainless steel spring.
- * "Load Buster" hook.
- * Silver plated contacts.
- * Fuse Tube and cutout cast components in bronze.
- * Steel hardware and NEMA bracket are galvanized per ANSI/IEEE/ASTM standards.



27 kv (125kv BIL)

Catalog Number**	Maximum Design Voltage	Continuous Current (Amps)	Interrupting Capacity (Asym Amps)	BIL	Weight
PNLBC-27-100P	27 kv	100	8,000	125 kv	11.0lbs /5.0kg
PNLBC-27-100/12P	27kv	100	12,000	125 kv	11.0lbs /5.0kg
PNLBC-27-200P	27 kv	200	10,000	125 kv	11.6lbs /5.3kg
PNLBC-27-300P	27 kv	300	12,000	125 kv	11.2lbs /5.1kg

ALL GPP Cutouts use standard interchangeable fuse barrels.

To order with a NEMA bracket, add a "B" to the end of the catalog number.

(Example: NLBC-27-100PB)

To order with an extended type bracket, add an "X" to the end of the catalog number.

(Example: NLBC-27-100PX)

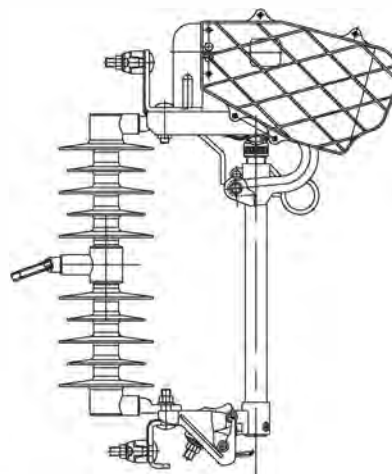
This extended type bracket adds 2-5/8" more distance than the NEMA B bracket.

POLYMER LOADBREAK CUTOUTS 15 KV

The "PLBC" fuse cutout is designed for the most severe working conditions, where stress from interruption in short circuits is a relevant factor. Designed for outdoor use, the "PLBC" fuse cutout is equipped with husky steel parts to support high torsion forces in closing and opening with use of "Load Buster" tools. Designed with a fuse link guide which also acts as a fuse holder locking device (flipper) thus reducing the tension on the fuse link during the closing operations. Fast expulsion of the link after melting within the fuse tube, makes the "PLBC" fuse cutout very efficient in low short circuit currents. Approved in all of the tests specified by ABNT/IEC/ANSI standards, the "PLBC" fuse cutout is a proven product.

DESIGN FEATURES

- High mechanical strength insulator.
- Tin plated parallel connectors.
- Stainless steel spring.
- "Load Buster" hook.
- Silver plated contacts.
- Fuse tube and cutout cast components in bronze.
- Steel hardware and NEMA bracket are galvanized per ANSI/IEEE/ASTM standards.



15 KV (110KV BIL)

Catalog Number**	Maximum Design Voltage	Continuous Current (Amps)	Interrupting Capacity (Asym Amps)	BIL	ARC ROD*
PLBC-15-100P	15KV	100	10000	110 kV	NO
PLBC-15-100/16P	15KV	100	16000	110 kV	YES
PLBC-15-200P	15KV	200	12000	110 kV	YES
PLBC-15-300P	15KV	300	12000	110 kV	NO

ALL GPP Cutouts use standard interchangeable fuse barrels.

**Suffix: P = Parallel Groove Clamps; N = NEMA Bracket

To order small eyebolt (No. 8 sol. through 2/0 str.) change "P" to "E" (example: PLBC-15-100 E).

To order with NEMA Bracket add the suffix "B" to the catalog number. (example: PLBC-15-100PB).

To order the Extended Type Bracket add the suffix "X" . (2-5/8" Longer than the "B" bracket.)
(Example: PLBC-15-100-PX).

Cat. numbers PLBC-15-100/16P and PLBC-15-200P requires an Arc Shortening Rod*.

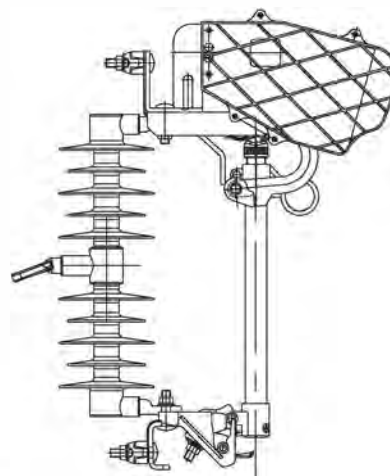
Leakage Distance for 110 kV BIL = 12.6".

POLYMER LOADBREAK CUTOUTS 15/27 KV

The "PLBC" fuse cutout is designed for the most severe working conditions, where stress from interruption in short circuits is a relevant factor. Designed for outdoor use, the "PLBC" fuse cutout is equipped with husky steel parts to support high torsion forces in closing and opening with use of "Load Buster" tools. Designed with a fuse link guide which also acts as a fuse holder locking device (flipper) thus reducing the tension on the fuse link during the closing operations. Fast expulsion of the link after melting within the fuse tube, makes the "PLBC" fuse cutout very efficient in low short circuit currents. Approved in all of the tests specified by ABNT/IEC/ANSI standards, the "PLBC" fuse cutout is a proven product.

DESIGN FEATURES

- High mechanical strength insulator.
- Tin plated parallel connectors.
- Stainless steel spring.
- "Load Buster" hook.
- Silver plated contacts.
- Fuse tube and cutout cast components in bronze.
- Steel hardware and NEMA bracket are galvanized per ANSI/IEEE/ASTM standards.



15/27 kV (125KV BIL)

Catalog Number**	Maximum Design Voltage	Continuous Current (Amps)	Interrupting Capacity (Asym Amps)	BIL	ARC ROD*
PLBC-15/27-100P	15/27KV	100	8000	125 kV	NO
PLBC-15/27-100/12P	15/27KV	100	12000	125 kV	YES
PLBC-15/27-200P	15/27KV	200	10000	125 kV	YES
PLBC-15/27-300P	15/27KV	300	12000	125 kV	NO

ALL GPP Cutouts use standard interchangeable fuse barrels.

**Suffix: P = Parallel Groove Clamps; N = NEMA Bracket

To order small eyebolt (No. 8 sol. through 2/0 str.) change "P" to "E" . (example: PLBC-15/27-100 E).

To order with NEMA Bracket add the suffix "B" to the catalog number. (example: PLBC-15/27-100PB).

To order the Extended Type Bracket add the suffix "X" . (2-5/8" Longer than the "B" bracket.)

(Example: PLBC-15/27-100-PX).

Cat. Numbers PLBC-15/27-100/12P requires an Arc Shortening Rod*.

Leakage Distance for 125 kV BIL = 17.1".