



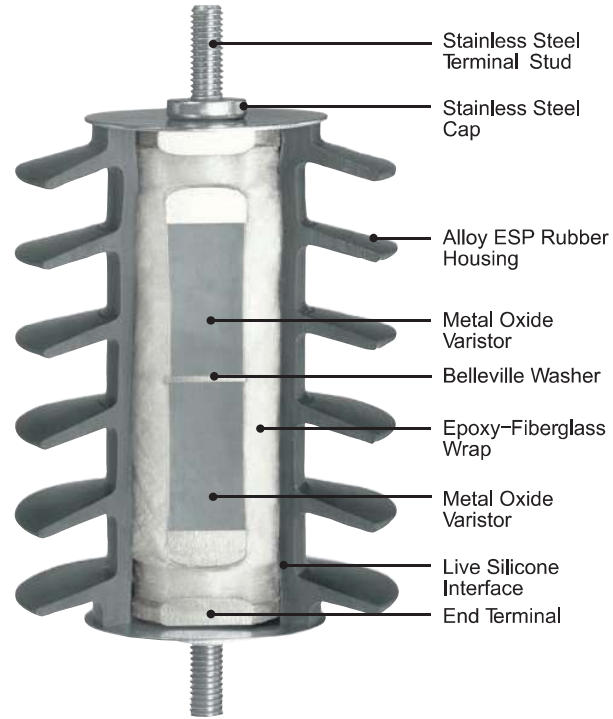
INDEX

SECTION 8 - SURGE ARRESTERS

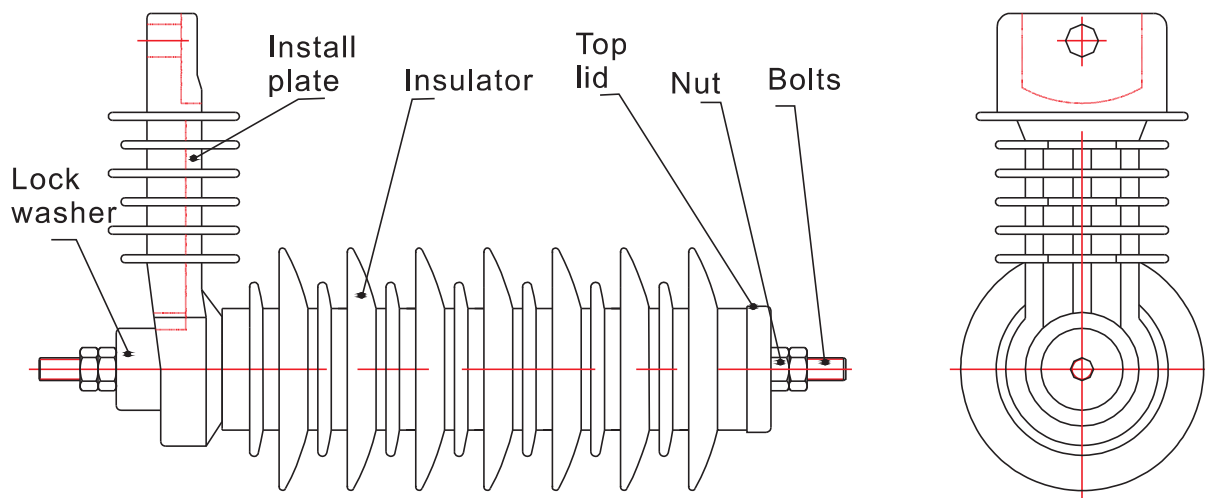
TYPICAL CUTAWAY ARRESTER -	8-0
POLYMERIC HOUSED METAL-OXIDE SURGE ARRESTERS WITHOUT GAPS	
NORMINAL DISCHARGE CURRENT 5KA -	8-1
POLYMERIC HOUSED METAL-OXIDE SURGE ARRESTERS WITHOUT GAPS	
NORMINAL DISCHARGE CURRENT 10KA-	8-2
TYPICAL MOUNTING CONFIGURATIONS AND HARDWARE -	8-3



Typical Cutaway (Arrester Only)



Diagram





**Polymeric Housed Metal-oxide Surge Arresters Without Gaps
Normal Discharge Current 5KA**



Electrical Characteristics

Catalog Number	MOA Rated voltage	MCOV	Current impulse Residual Voltage			2ms Rectangular current impulse withstand	4/10 us High current impulse withstand
			1/4 us Lightning current impulse	8/20 us Lightning current impulse	30/60 us Switching current impulse		
	kV(rms)	kV(rms)	kV(crest)	kV(crest)	kV(crest)	A(crest)	kA(crest)
YH5W-3	3	2.55	11.3	9	8.9	150	65
YH5W-6	6	5.1	22.6	18	16.8	150	65
YH5W-9	9	7.65	33.7	27	23.8	150	65
YH5W-10	10	8.4	36	30	23	150	65
YH5W-11	11	9.4	40	33	30	150	65
YH5W-12	12	10.2	42.2	36	27	150	65
YH5W-15	15	12.7	51	45	38.5	150	65
YH5W-18	18	15.3	61.5	54	46.2	150	65
YH5W-21	21	17	71.8	63	54.2	150	65
YH5W-24	24	19.5	82	72	62	150	65
YH5W-27	27	22	92	81	69.8	150	65
YH5W-30	30	24.4	102	90	79	150	65
YH5W-33	33	27.5	112	99	86.7	150	65
YH5W-36	36	29	123	108	92.4	150	65



**Polymeric Housed Metal-oxide Surge Arresters Without Gaps
Norminal Discharge Current 10KA**



Electrical Characteristics

Catalog Number	MOA Rated voltage	MCOV	Current impulse Residual Voltage			2ms Rectangular current impulse withstand	4/10 us High current impulse withstand
			1/4 us Lightning current impulse	8/20 us Lightning current impulse	30/60 us Switching current impulse		
	kV(rms)	kV(rms)	kV(crest)	kV(crest)	kV(crest)	A(crest)	kA(crest)
YH10W-3	3	2.55	11.3	9	8.9	250	100
YH10W-6	6	5.1	22.6	18	16.8	250	100
YH10W-9	9	7.65	33.7	27	23.8	250	100
YH10W-10	10	8.4	36	30	23	250	100
YH10W-11	11	9.4	40	33	30	250	100
YH10W-12	12	10.2	42.2	36	27	250	100
YH10W-15	15	12.7	51	45	38.5	250	100
YH10W-18	18	15.3	61.5	54	46.2	250	100
YH10W-21	21	17	71.8	63	54.2	250	100
YH10W-24	24	19.5	82	72	62	250	100
YH10W-27	27	22	92	81	69.8	250	100
YH10W-30	30	24.4	102	90	79	250	100
YH10W-33	33	27.5	112	99	86.7	250	100
YH10W-36	36	29	123	108	92.4	250	100



TYPICAL MOUNTING CONFIGURATIONS AND HARDWARE

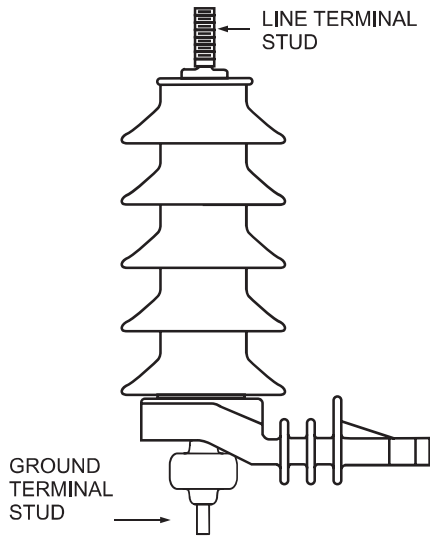


Figure 1

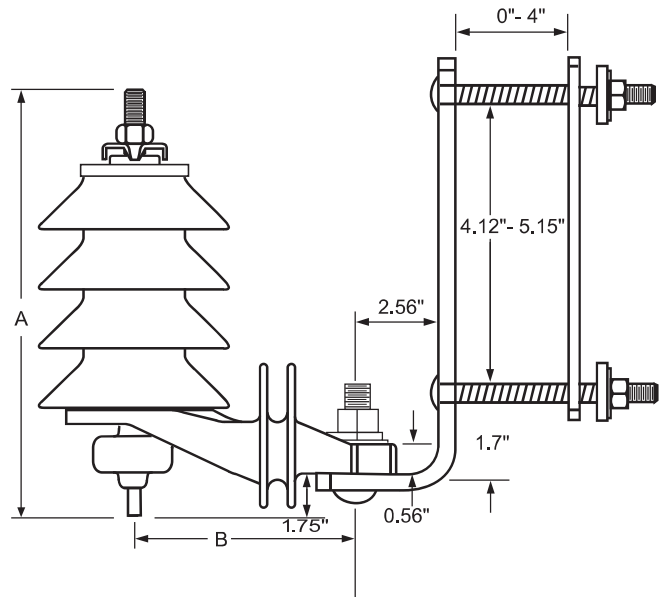


Figure 2

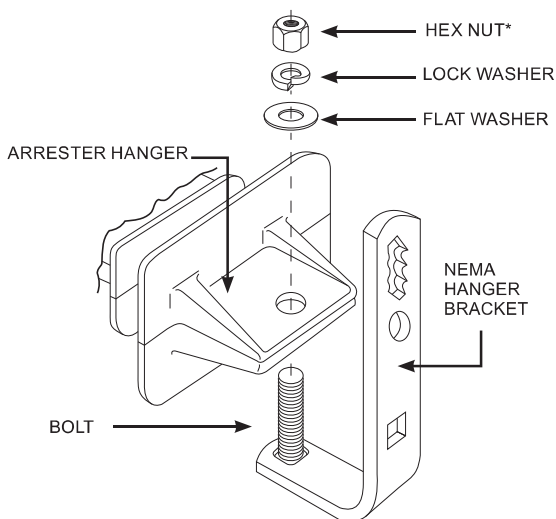


Figure 3

Standard Mounting Brackets

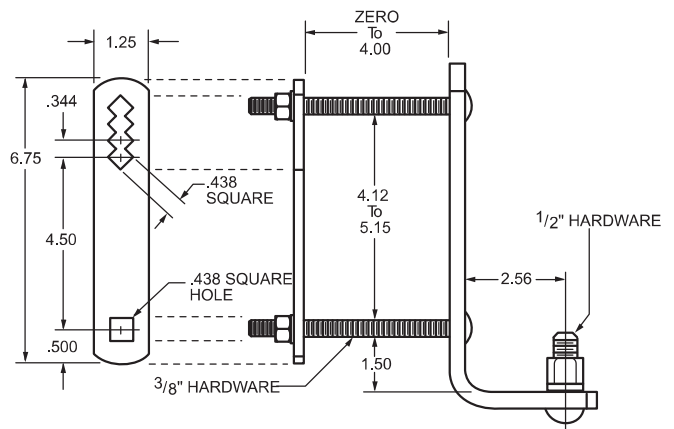


Figure 4