



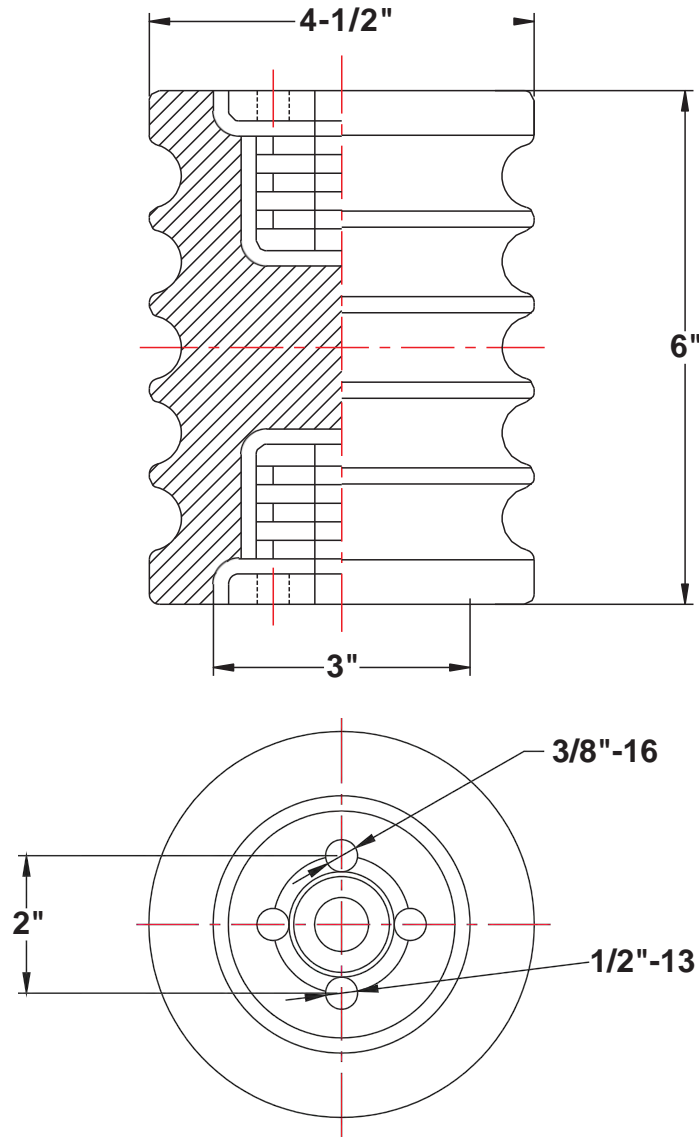
INDEX

SECTION 5 - INSULATORS

INDOOR BUS SUPPORT INSULATORS CLASS A 10 PORCELAIN -----	5-1
INDOOR BUS SUPPORT INSULATORS CLASS A 20 PORCELAIN -----	5-2
LOW VOLTAGE PIN TYPE INSUATORS PORCELAIN -----	5-3
15KV PIN INSULATOR FOG BOWL TYPE-----	5-3A
HIGH VOLTAGE PIN TYPE INSULATORS PORCELAIN -----	5-4
CLAMP TOP POST INSULATORS PORCELAIN-----	5-5
SPOOL INSULATORS PORCELAIN-----	5-6
STATION POST INSULATORS PORCELAIN -----	5-7
GUY STRAIN INSULATORS PORCELAIN-----	5-8
SUSPENSION INSULATORS PORCELAIN -----	5-9
SUSPENSION INSULATORS PORCELAIN -----	5-10
TIE TOP POST INSULATORS PORCELAIN STUD BASE -----	5-11
LINE POST INSULATOR “F” NECK TYPE PORCELAIN STUD BASE -----	5-12
POLYMER INSULATORS 161 KV LINE POST-----	5-13
POLYMER INSULATORS 69 KV SUSPENSION CLEVIS BALL -----	5-14
POLYMER INSULATORS 35 KV SUSPENSION SOCKET BALL-----	5-15
POLYMER INSULATORS 15 KV, 25 KV, 35 KV, CLEVIS EYE-----	5-16
HDPE PIN TYPE INSULATORS -----	5-17



INDOOR BUS SUPPORT INSULATORS CLASS A 10 PORCELAIN

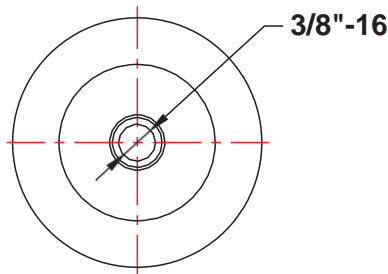
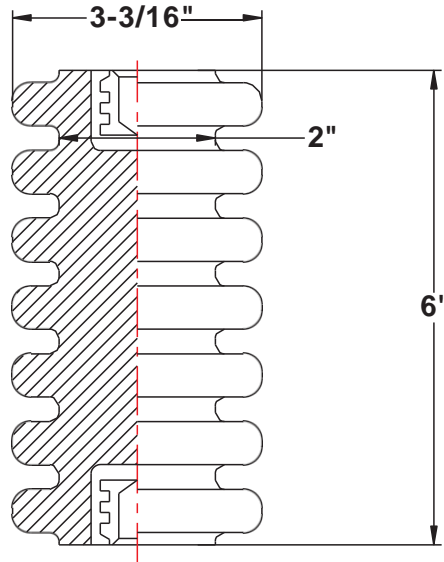


CATALOG NUMBER	NOMINAL VOLTAGE	IMPULSE WITHSTAND	WEIGHT EACH
UA10 – 2337	13.8 — 15 kV	95 — 110 kV Bil	3 LBS.

THE ABOVE INDOOR BUS SUPPORTS ARE MANUFACTURED IN ACCORDANCE TO ANSI C29.10.



INDOOR BUS SUPPORT INSULATORS CLASS A 20 PORCELAIN



ELECTRICAL VALUES

CATALOG NUMBER	NEMA CLASS NUMBER	NEMA VOLTAGE RATING	NOMINAL VOLTAGE RATING	IMPULSE WITHSTAND kV	60 Hz. WITHSTAND DRY, kV	60 Hz. WITHSTAND DEW, kV	SHIPPING WEIGHT EACH
UA20 – 527	A – 20	13.2	15L	95	36	26	8.5 LBS.

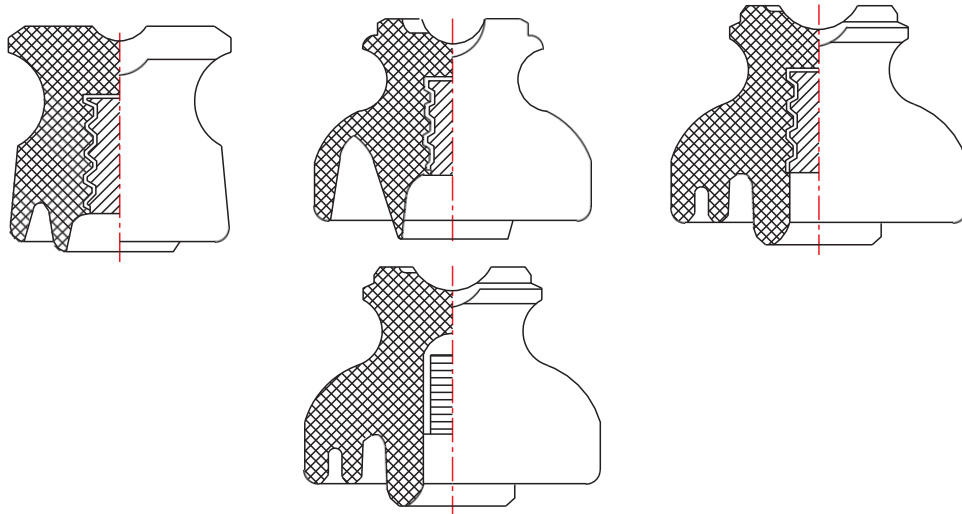
MECHANICAL VALUES

CATALOG NUMBER	CANTILEVER STRENGTH 2 1/2" ABOVE, POUNDS	TENSILE STRENGTH POUNDS	TORSION STRENGTH POUNDS	COMPRESSION STRENGTH POUNDS
UA20 – 527	1250	3000	3500	20000

THE ABOVE INDOOR BUS SUPPORTS ARE MANUFACTURED IN ACCORDANCE TO ANSI C29.10. MOUNTING HOLES CAN BE TAPPED TO DESIRED DIAMETER BY THE CUSTOMER.



LOW VOLTAGE PIN TYPE INSULATORS PORCELAIN



CATALOG NUMBER	ANSI CLASS	STANDARD PACKAGE	APPROX. WEIGHT EACH
U55 – 2 G	55 – 2	32	2.65 LBS.
U55 – 3 G	55 – 3	24	3.3 LBS.
U55 – 4 G	55 – 4	12	3.5 LBS.
U55 – 5 G	55 – 5	6	6.2 LBS.

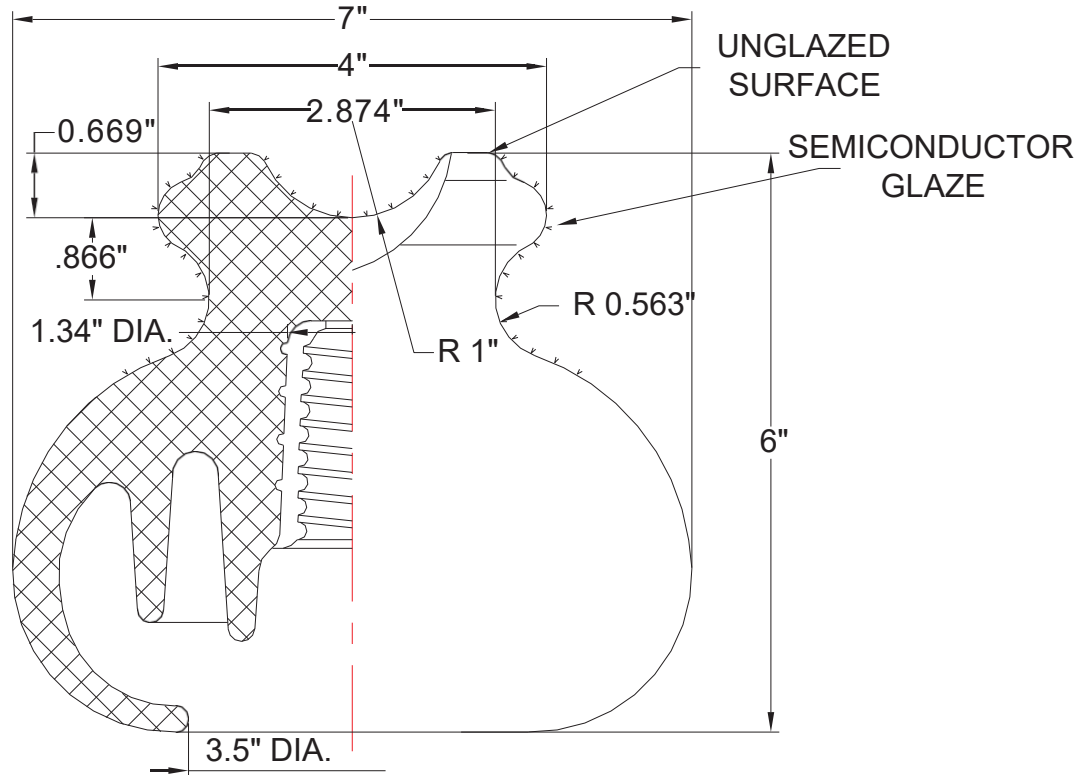
Technical Particulars - ANSI Type

TYPE		55-2	55-3	55-4	55-5
STYLE NUMBER		1.349	1.343	1.312	1.347
MAXIMUM DIAMETER	in(mm)	3.75(95)	4.75(121)	5.5(140)	7(178)
MAXIMUM HEIGHT	in(mm)	3.25(83)	3.75(95)	4.375(111)	4.875(124)
TOTAL LEAKAGE DISTANCE	in(mm)	5(127)	7(178)	9(228)	12(305)
CANTILEVER STRENGTH	lbs(kN)	2500(11)	2500(11)	3000(13)	3000(13)
DRY P.F. FLASHOVER	kV	50	65	70	85
WET P.F. FLASHOVER	kV	25	35	40	45
50% IMPULSE FLASHOVER + VE	kVp	75	100	110	140
50% IMPULSE FLASHOVER - VE	kVp	95	130	140	170
DRY P.F. WITHSTAND	kV	40	50	60	70
WET P.F. WITHSTAND	kV	20	25	30	35
IMPULSE WITHSTAND + VE	kVp	70	80	90	100
IMPULSE WITHSTAND - VE	kVp	70	80	90	100
PUNCTURE VOLTAGE	kV	70	90	95	115
RIV TEST VOLTAGE	kV	5	10	10	15
RIV-PLAIN	μV	2500	5500	5500	8000
*RIV-RADIO FREE	μV	50	50	50	100
CORONA EXTINCTION VOLTAGE	kV	5	8	8	10
NET WEIGHT (APPROXIMATE)	lbs(kg)	2.65(1.2)	3.3(1.5)	3.5(1.6)	6.2(2.8)

* Radio free RIV values are guaranteed only for insulators coated with semi-conducting glaze. Thimble / threading to suit thread gauge as per figure 8 of ANSI C29.5.



15KV PIN INSULATOR FOG BOWL TYPE

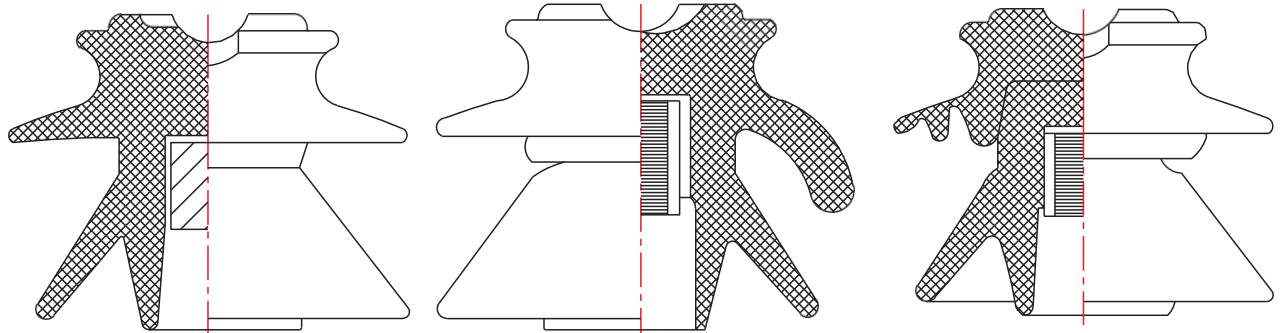


Technical Specifications

CATALOG NUMBER		FB-15
MAXIMUM DIAMETER	IN(MM)	7(178)
MAXIMUM HEIGHT	IN(MM)	6(152)
TOTAL LEAKAGE DISTANCE	IN(MM)	16.54(420)
DRY ARC DISTANCE	IN(MM)	5.906(150)
CANTILEVER STRENGTH	LBS(KN)	3082(13.7)
NEMA. VOLTAGE RATING	KV	15
POWER FREQUENCY FLASHOVER VOLTAGE(DRY): KV.		80
POWER FREQUENCY FLASHOVER VOLTAGE(WET):KV.		50
LOW FREQUENCY TEST VOLTAGE TO GROUND: KV.		10
IMPULSE FLASHOVER VOLTAGE(ANODE) : KV.		140
IMPULSE FLASHOVER VOLTAGE(CATHODE) KV.		160
LOW FREQUENCY PUNCTURE VOLTAGE: KV.		115
GLAZE		ANSI LIGHT GREY, NUMBER 70.
APPLICABLE STANDARD		ANSI C29.5-1984
NET WEIGHT (APPROXIMATE)	LBS(KG)	7.2(3.3)
STANDARD PACKAGE		6



HIGH VOLTAGE PIN TYPE INSULATORS PORCELAIN



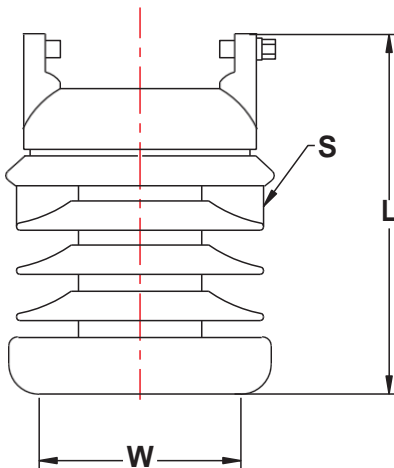
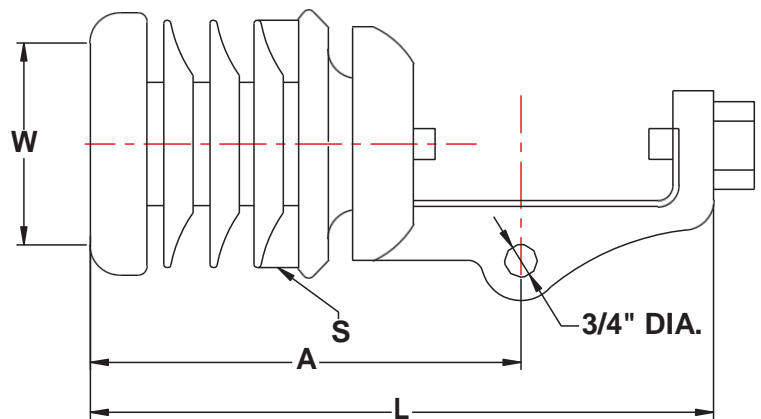
CATALOG NUMBER	ANSI CLASS	STANDARD PACKAGE	APPROX. WEIGHT EACH
U56 – 1 G	56 – 1	8	7.7 LBS.
U56 – 2 G	56 – 2	6	10 LBS.
U56 – 3 G	56 – 3	3	15.5 LBS
U56 – 4 G	56 – 4	2	25 LBS.

Technical Particulars - ANSI Type

TYPE		56-1	56-2	56-3	56-4
STYLE NUMBER		1.302	1.303	1.304	1.353
MAXIMUM DIAMETER	in(mm)	7.5(191)	9(229)	10.5(267)	12(35)
MAXIMUM HEIGHT	in(mm)	5.75(146)	6.5(165)	7.5(191)	9.5(241)
TOTAL LEAKAGE DISTANCE	in(mm)	13(330)	17(432)	21(533)	27(686)
CANTILEVER STRENGTH	lbs(kN)	2500(11)	3000(13)	3000(13)	3000(13)
DRY P.F. FLASHOVER	kV	95	110	125	140
WET P.F. FLASHOVER	kV	60	70	80	95
50% IMPULSE FLASHOVER + VE	kVp	150	175	200	225
50% IMPULSE FLASHOVER - VE	kVp	190	225	265	310
DRY P.F. WITHSTAND	kV	85	95	105	115
WET P.F. WITHSTAND	kV	50	60	70	80
IMPULSE WITHSTAND + VE	kVp	120	130	140	150
IMPULSE WITHSTAND - VE	kVp	120	130	140	150
PUNCTURE VOLTAGE	kV	130	145	165	185
RIV TEST VOLTAGE	kV	15	22	30	30
RIV-PLAIN	μV	8000	12000	16000	16000
*RIV-RADIO FREE	μV	100	100	200	200
CORONA EXTINCTION VOLTAGE	kV	15	15	22	22
NET WEIGHT (APPROXIMATE)	lbs(kg)	7.7(3.5)	10(4.5)	15.5(7.0)	25(11.0)

* Radio free RIV values are guaranteed only for insulators coated with semi-conducting glaze. Thimble / threading to suit thread gauge as per figure 6 of ANSI C29.6.

CLAMP TOP POST INSULATORS PORCELAIN


FIG. 1

FIG. 2

CATALOG NUMBER	FIG. NO.	ANSI CLASS	DIM. A	DIM. L	DIM. S	DIM. W	LEAKAGE DISTANCE	USUAL LINE VOLTAGE	MAX. RIV	STD. PACK
U57 – 11G	1	57-11	—	10 1/8"	6"	4 1/4"	14	25 kV	100	6
U57 – 12G	1	57-12	—	13 1/8"	6 1/4"	5 1/4"	22	35 kV	100	3
U57 – 13G	1	57-13	—	15 3/4"	6 1/2"	5 1/4"	29	45 kV	200	3
U57 – 14G	1	57-14	—	19"	7"	5 1/2"	40	55 kV	200	3
U57 – 15G	1	57-15	—	21 5/8"	7 1/2"	5 1/2"	45	66 kV	200	3
UHCT - 25G	2	—	10 7/8"	13 1/2"	6"	4 1/4"	14	25 kV	100	3
UHCT – 35G	2	—	13 7/8"	16 1/2"	6 1/4"	5 1/4"	22	35 kV	100	3
UHCT – 45G	2	—	16 1/2"	19 1/8"	6 1/2"	5 1/4"	29	45 kV	200	3
UHCT – 55G	2	—	19 3/4"	22 3/8"	7"	5 1/2"	40	55 kV	200	2
UHCT – 66G	2	—	22 7/8"	25 1/2"	7 1/2"	6"	45	66 kV	200	2

THE ABOVE CLAMP TOP INSULATORS ARE OFFERED IN A "SKY GRAY" GLAZE. FOR BROWN COLOR, CHANGE THE SUFFIX "G" TO A "B". EACH OF THE ABOVE HAS A CANTILEVER STRENGTH OF 2800 POUNDS. MOUNTING BASES FOR FIGURE NUMBER 2 ARE AVAILABLE UPON REQUEST.



SPOOL INSULATORS PORCELAIN

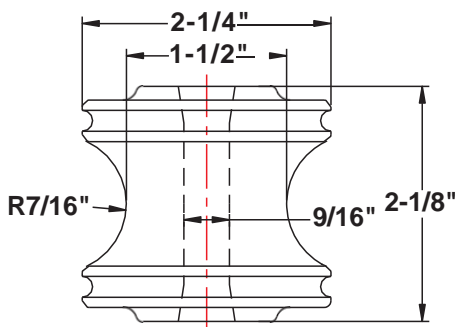


FIG. 1

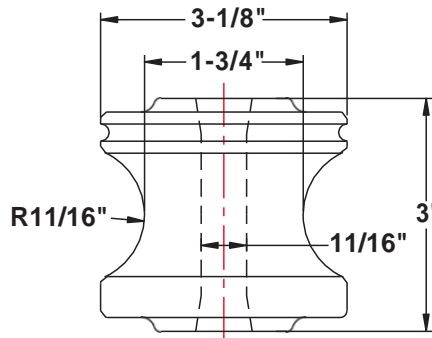


FIG. 2

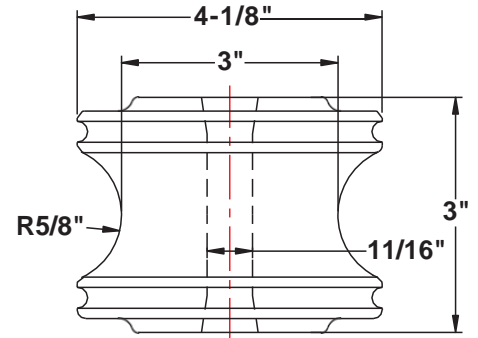


FIG. 3

CATALOG NUMBER	ANSI CLASS	FIG. NO.	ULTIMATE STRENGTH	LOW FREQUENCY FLASHOVER kV DRY	LOW FREQUENCY FLASHOVER kV WET		APPROX. WEIGHT PER 100	STD. PACK
					VERT.	HORZ.		
U53 – 1G	53 – 1	1	2000 LBS.	20	8	10	50 LBS.	100
U53 – 2G	53 – 2	2	3000 LBS.	25	12	15	118 LBS.	50
U53 – 3G	53 – 3	—	4000 LBS.	25	12	15	134 LBS.	50
U53 – 4G	53 – 4	3	4500 LBS.	25	12	15	250 LBS.	25
U53 – 5G	53 – 5	—	6000 LBS.	35	18	25	258 LBS.	20

THE ABOVE PORCELAIN SPOOL INSULATORS ARE OFFERED IN THE STANDARD "SKY GRAY" GLAZE. (ANSI-70) FOR WHITE OR BROWN GLAZE ADD THE SUFFIX "W" OR "B" TO THE CATALOG NUMBER.



STATION POST INSULATORS PORCELAIN

FIG.1

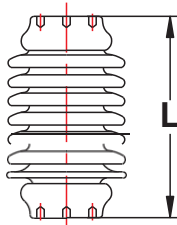
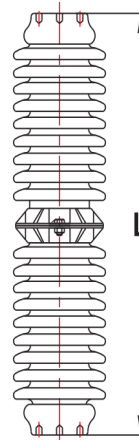


FIG.2



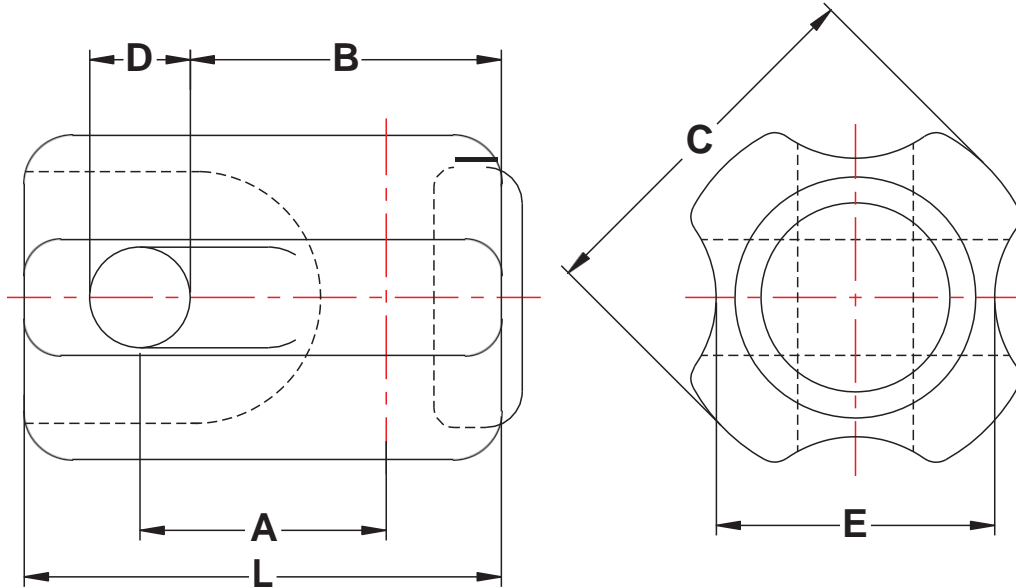
CATALOG NUMBER	FIG. NO.	TECHNICAL REFERENCE NUMBER	CANTILEVER STRENGTH UP & UNDER	TENSION STRENGTH	TORSION STRENGTH INCH-POUNDS	COMPRESSION STRENGTH	LEAKAGE DISTANCE
UTR – 202	1	TR202	2000 LBS.	7000 LBS.	6000	10000 LBS.	10.5"
UTR – 205	1	TR205	2000 LBS.	8500 LBS.	7000	10000 LBS.	15.5"
UTR – 208	1	TR208	2000 LBS.	10000 LBS.	8000	10000 LBS.	24"
UTR – 210	1	TR210	2000 LBS.	12000 LBS.	10000	15000 LBS.	37"
UTR – 214	1	TR214	2000 LBS.	14000 LBS.	12000	15000 LBS.	43"
UTR – 216	1	TR216	1500 LBS.	16000 LBS.	15000	25000 LBS.	72"
UTR – 286	2	TR286	1700 LBS.	20000 LBS.	40000	60000 LBS.	99"
UTR – 288	2	TR288	1450 LBS.	20000 LBS.	40000	60000 LBS.	116"
UTR – 291	2	TR291	1200 LBS.	20000 LBS.	40000	60000 LBS.	132"

CATALOG NUMBER	VOLTAGE CLASS	LOW FREQ. DRY	FLASH WET	IMPULSE POS.	FLASH NEG.	IMPULSE WITHSTAND	MAXIMUM RIV MICROVOLTS	DIM. L	WT. EA.
UTR – 202	7.5 kV	60 kV	40 kV	105 kV	120 kV	95 kV	50	7 1/2"	13 #
UTR – 205	15 kV	85 kV	55 kV	125 kV	200 kV	110 kV	50	10"	17 #
UTR – 208	23 kV	110 kV	75 kV	170 kV	250 kV	150 kV	100	14"	28 #
UTR – 210	34.5 kV	145 kV	100 kV	225 kV	290 kV	200 kV	100	18"	40 #
UTR – 214	46 kV	170 kV	125 kV	280 kV	340 kV	250 kV	200	22"	57 #
UTR – 216	69 kV	235 kV	180 kV	390 kV	475 kV	350 kV	200	30"	92 #
UTR – 286	115 kV	385 kV	285 kV	610 kV	780 kV	550 kV	200	45"	183 #
UTR – 288	138 kV	435 kV	335 kV	710 kV	900 kV	650 kV	200	54"	210 #
UTR – 291	161 kV	485 kV	389 kV	810 kV	1020 kV	750 kV	500	62"	240 #

THE ABOVE INSULATORS ARE OFFERED IN A SKY GRAY GLAZE.



GUY STRAIN INSULATORS PORCELAIN



DIMENSIONS

CATALOG NUMBER	ANSI CLASS	DIM. L	DIM. A	DIM. B	DIM. C	DIM. D	DIM. E	MAXIMUM CABLE SIZE	ULTIMATE STRENGTH	WT. PER 100
U54 - 1	54 - 1	3 1/2"	1 3/4"	2 1/2"	2 1/2"	5/8"	1 3/4"	3/8"	10000 LBS.	100 LBS.
U54 - 2	54 - 2	4 1/4"	2 1/4"	3"	2 7/8"	7/8"	2 1/8"	1/2"	12000 LBS.	155 LBS.
U54 - 3	54 - 3	5 1/2"	3 1/8"	4 1/16"	3 3/8"	1"	2 3/8"	5/8"	20000 LBS.	270 LBS.
U54 - 4	54 - 4	6 3/4"	2 5/8"	4 1/2"	3 1/2"	1"	2 3/8"	5/8"	20000 LBS.	428 LBS.

ELECTRICAL VALUES

CATALOG NUMBER	FLASHOVER		LEAKAGE DISTANCE
	DRY	WET	
U54 - 1	25 kV	12 kV	1.625"
U54 - 2	30 kV	15 kV	1.825"
U54 - 3	35 kV	18 kV	2.25"
U54 - 5	40 kV	23 kV	3.0"

THE ABOVE STRAIN INSULATORS ARE OFFERED IN A "SKY GRAY" GLAZE.
FOR BROWN GLAZE, CHANGE THE SUFFIX "G" TO A "B".
EACH OF THE ABOVE CONFORM TO ASNI STANDARD C29.4 .



SUSPENSION INSULATORS PORCELAIN

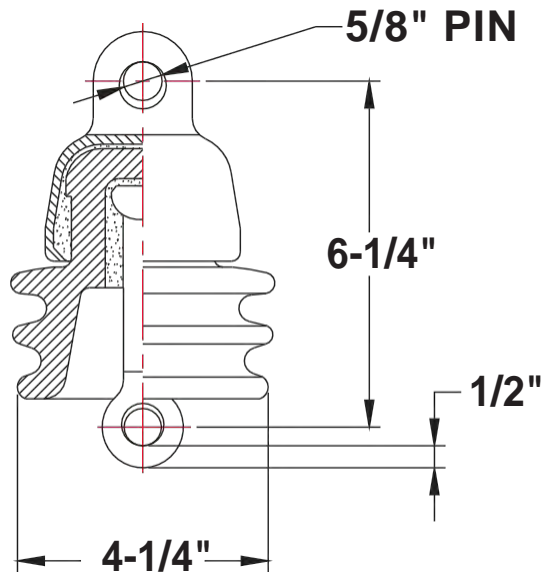


FIG. 1

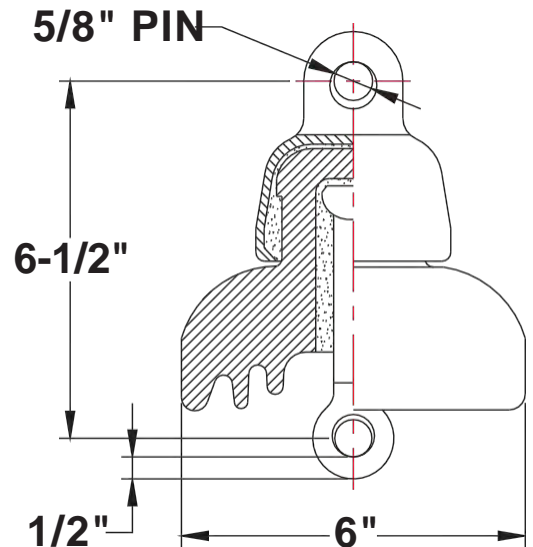


FIG. 2

CATALOG NUMBER	ANSI CLASS	COMBINED M & E STRENGTH	MECH. IMPACT STRENGTH	TENSION PROOF	LOW FREQUENCY FLASHOVER DRY	LOW FREQUENCY FLASHOVER WET	IMPULSE FLASHOVER POS.	IMPULSE FLASHOVER NEG.	LOW FREQ. PUNCTURE
U52 – 9G	52 – 9	10,000 LBS.	55	5,000 LBS.	60 kV	30 kV	100	90	80 kV
U52 – 1G	52 – 1	10,000 LBS.	45	5,000 LBS.	60 kV	30 Kv	100	100	80 kV
U52 – 2G	52 – 2	15,000 LBS.	50	7,500 LBS.	65 kV	35 kV	115	115	90 kV

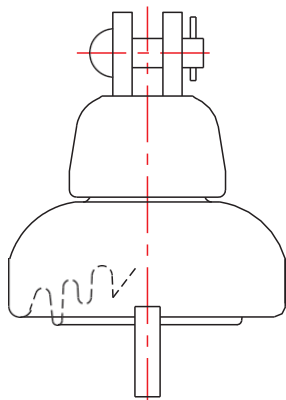
DIMENSIONS AND WEIGHTS

CATALOG NUMBER	FIG. NO.	LEAKAGE DISTANCE	DRY ARCING DISTANCE	INSULATOR SPACING	NOMINAL DIAMETER	WEIGHT PER 100
U52 – 9G PICTURED	1	7"	4"	6 1/4"	4 1/4"	555 LBS.
U52 – 1G PICTURED	2	7"	4 1/2"	5 1/2"	6"	570 LBS.
U52 – 2G	2	8 1/4"	6"	5 3/4"	8"	880 LBS.

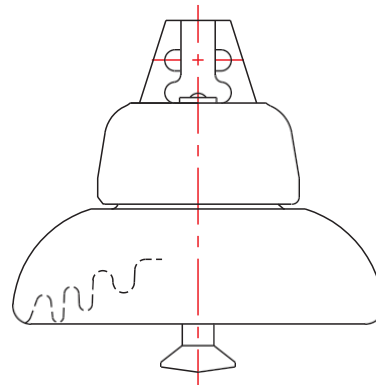
THE ABOVE SUSPENSION INSULATORS ARE OFFERED IN A "SKY GRAY" GLAZE.
 FOR BROWN GLAZE, CHANGE THE SUFFIX "G" TO A "B".
 EACH OF THESE INSULATORS HAVE A MAXIMUM RIV OF 50 MICROVOLTS.



SUSPENSION INSULATORS PORCELAIN



CLEVIS & TONGUE



BALL & SOCKET

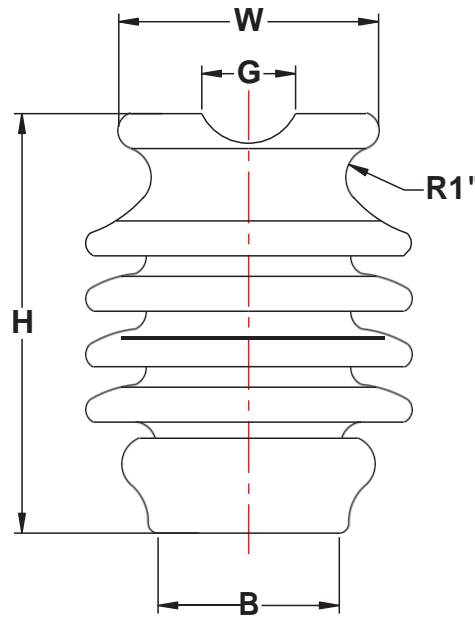
CATALOG NUMBER	U52 – 2G	U52 – 3G	U52 – 4G	U52 – 5G	U52 – 8G
ANSI TYPE	52 – 2	52 – 3	52 – 4	52 – 5	52 – 8
STYLE NUMBER	1.136	1.100	1.031	1.059	1.221
NOMINAL DIAMETER	8"	10"	10"	10"	11"
NOMINAL SPACING	5.75"	5.75"	5.75"	5.75"	5.75"
TOTAL LEAKAGE	8.25"	12.6"	12.6"	12.6"	14.5"
COUPLING TYPE & SIZE	TONGUE & CLEVIS	BALL & SOCKET TYPE B	TONGUE & CLEVIS	BALL & SOCKET TYPE J	BALL & SOCKET TYPE K
LOCKING DEVICE	—	R	—	R	R
ELECTRO MECHANICAL RATING	15000 LBS.	15000 LBS.	15000 LBS.	25000 LBS.	36000 LBS.
IMPACT STRENGTH	50	55	55	60	90
TENSION PROOF	7500 LBS.	7500 LBS.	7500 LBS.	12500 LBS.	18000 LBS.
DRY P.F. FLASHOVER	65 kV	80 kV	80 kV	80 kV	80 kV
WET P.F. FLASHOVER	35 kV	50 kV	50 kV	50 kV	50 kV
IMPULSE WITHSTAND +	100 kVp	110 kVp	110 kVp	110 kVp	110 kVp
IMPULSE WITHSTAND -	100 kVp	110 kVp	110 kVp	110 kVp	110 kVp
PUNCTURE VOLTAGE	90 kV	120 kV	110 kV	130 kV	140 kV
RIV TEST VOLTAGE	50 uV	50 uV	50 uV	50 uV	50 uV
CORONA EXTENSION	09 kV	09 kV	09 kV	09 kV	09 kV
NET WEIGHT EACH	8.8 LBS.	11.5 LBS.	11.5 LBS.	13.7 LBS.	17.5 LBS.
STANDARD PACKAGE	6	6	6	6	3

THE ABOVE INSULATORS ARE OFFERED IN A "SKY GRAY" GLAZE.
FOR BROWN GLAZE, CHANGE THE SUFFIX "G" TO "B".



TIE TOP POST INSULATORS PORCELAIN STUD BASE

CATALOG NUMBER	LINE VOLTAGE	MAX. RIV
U57 – 1G	25 kV	100
U57 – 2G	35 kV	100
U57 – 3G	45 kV	200
U57 – 4G	55 kV	200
U57 – 5G	66 kV	200



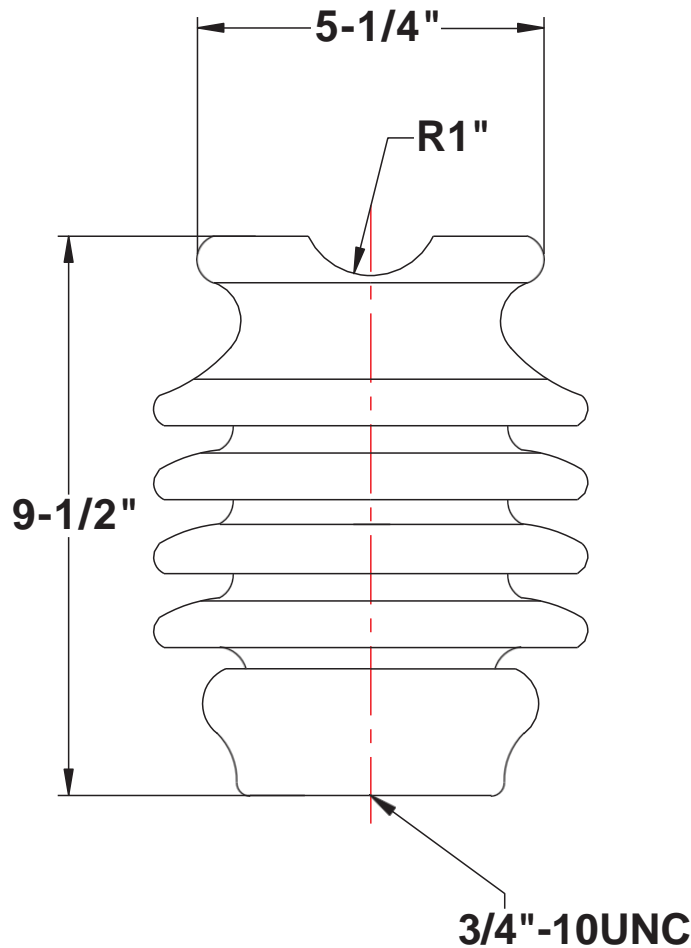
IMPULSE FLASHOVER POS.	NEG.	LEAKAGE DIST. INCHES	DRY ARCING INCHES
130	155	14	6.5
180	205	22	9.5
210	260	29	12.25
255	340	40	14.5
290	380	45	17.25

CATALOG NUMBER	ANSI CLASS	DIM. H	DIM. B	DIM. W	DIM. G	NUMBER OF SKIRTS	WEIGHT PER 100	STANDARD PACKAGE
U57 – 1G	57 – 1	8 13/16"	4 1/4"	4 1/2"	1"	4	1452 LBS.	6
U57 – 2G	57 – 2	12"	4 1/4"	4 1/2"	1"	6	2255 LBS.	3
U57 – 3G	57 – 3	15 1/4"	5 1/4"	4 1/2"	1"	8	2985 LBS.	3
U57 – 4G	57 – 4	17"	5 1/2"	6 5/8"	1 3/4"	11	4000 LBS.	3
U57 – 5G	57 – 5	20"	5 1/2"	6 5/8"	1 3/4"	12	5250 LBS.	2

THE ABOVE LINE POST INSULATORS ARE OFFERED IN A "SKY GRAY" GLAZE. (ANSI -70)
 FOR CHOCOLATE GLAZE CHANGE THE SUFFIX IN THE CATALOG NUMBER FROM "G" TO "B".
 ITEMS #1 THROUGH #3 ARE "F" NECK INSULATORS AND ITEMS #4 AND #5 ARE "N" NECK INSULATORS.
 THE CANTILEVER STRENGTH ON EACH OF THESE INSULATORS IS 2800 POUNDS.
 LINE POST STUDS ARE FURNISHED SEPARATELY. PLEASE REFER TO OUR HARDWARE SECTION FOR SELECTION.
 CONTACT US FOR DETAILED DRAWINGS ON ANY OF THE ABOVE INSULATORS.



LINE POST INSULATORS "F" NECK TYPE PORCELAIN STUD BASE



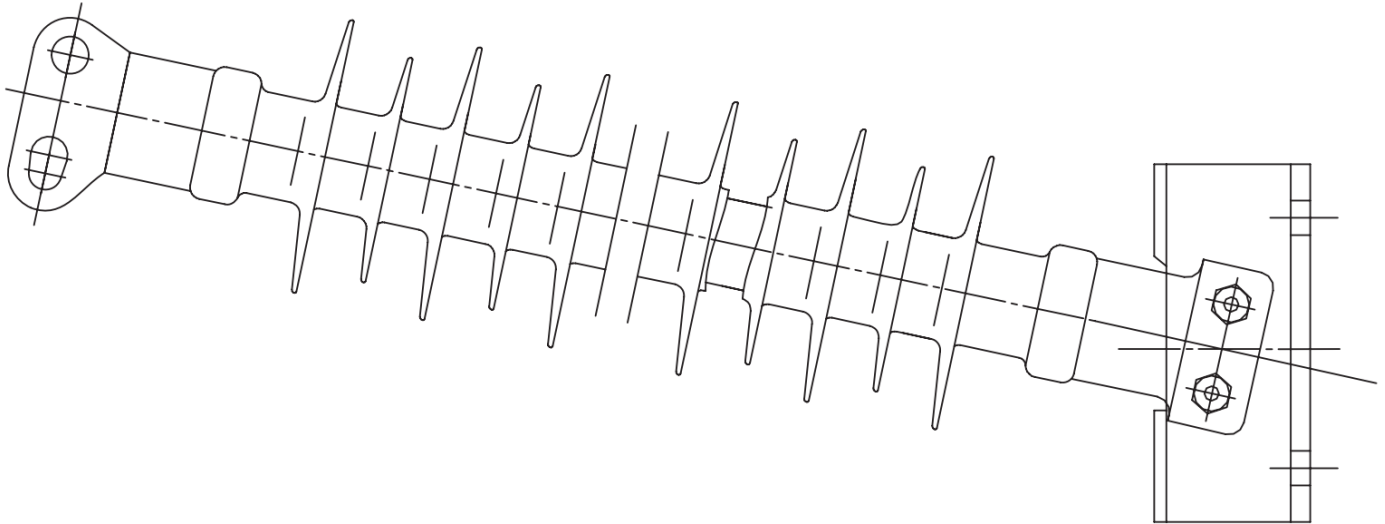
CATALOG NUMBER	USUAL LINE VOLTAGE	RADIO INFLUENCE TEST VOLTAGE Rms to Ground	MAXIMUM RIV Microvolts to 1000 kc	CANTILEVER STRENGTH
U4327 G	27 KV	20	50	1500 LBS.

CATALOG NUMBER	LEAKAGE DISTANCE	DRY ARCHING DISTANCE	LOW FREQUENCY FLASHOVER— kV	IMPULSE FLASHOVER— kV	WEIGHT PER 100
U4327 G	15"	7 3/4"	95 DRY 65 WET	135 POSITIVE 190 NEGATIVE	1040 LBS.

THE ABOVE LINE POST INSULATOR IS OFFERED IN A "SKY GRAY" GLAZE . (ANSI - 70)
 FOR CHOCOLATE GLAZE CHANGE THE SUFFIX IN THE CATALOG NUMBER FROM "G" TO "B" .
 LINE POST STUDS ARE FURNISHED SEPARATELY . PLEASE REFER TO OUR HARDWARE SECTION FOR SELECTION..



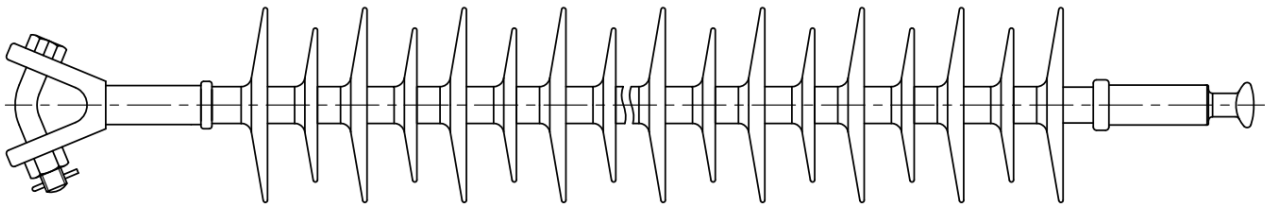
POLYMER INSULATORS 161 KV LINE POST



LINE VOLTAGE	CATALOG NUMBER	SECTION LENGTH	DRY ARCHING DISTANCE	LEAKAGE DISTANCE	LOW FREQUENCY FLASHOVER — kV CIFO			
					60Hz			
KV		IN	IN	IN	DRY	WET	POS	NEG
161	GLP-H161GD	66.7 ± 1.6	57.5	179.1	540	500	940	980

POLYMER INSULATORS

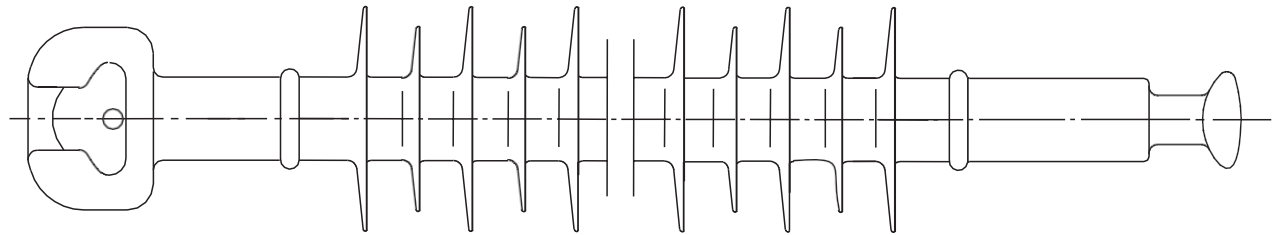
69 KV SUSPENSION Y-CLEVIS BALL



LINE VOLTAGE	CATALOG NUMBER	SECTION LENGTH	DRY ARCHING DISTANCE	LEAKAGE DISTANCE	LOW FREQUENCY FLASHOVER — kV CIFO			
					60Hz			
KV		IN	IN	IN	DRY	WET	POS	NEG
69	PDI69 -25K-YB	41.7	33.5	90	305	333	578	617



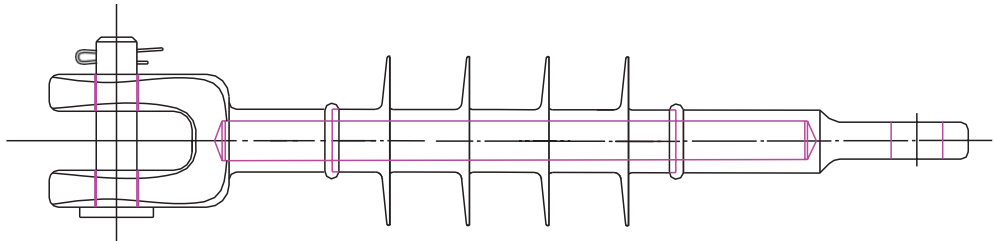
POLYMER INSULATORS 35 KV SUSPENSION SOCKET BALL



LINE VOLTAGE	CATALOG NUMBER	SECTION LENGTH	DRY ARCHING DISTANCE	LEAKAGE DISTANCE	LOW FREQUENCY FLASHOVER — kV			
					60Hz CIFO			
KV		IN	IN	IN	DRY	WET	POS	NEG
35	PDI35-15K-BS	17.2 ± 0.2	13.0	39.0	190	140	225	225

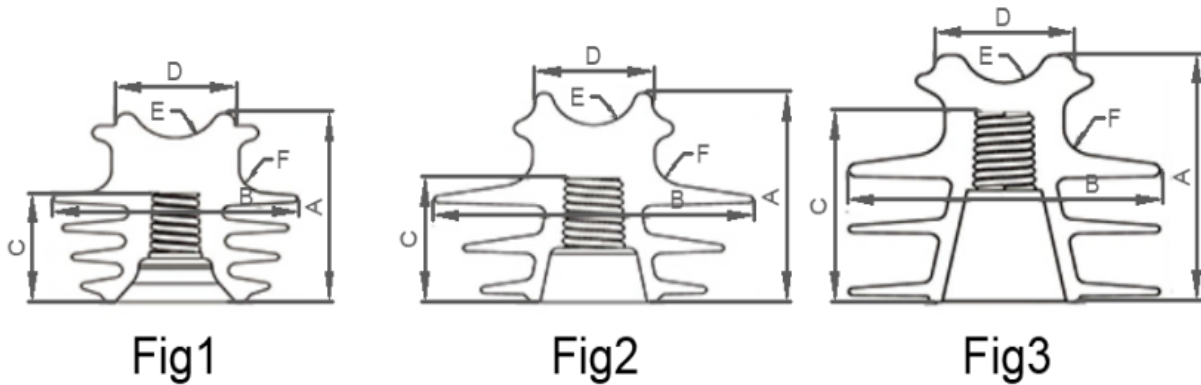


POLYMER INSULATORS 15 KV, 25 KV, 35 KV, CLEVIS EYE



LINE VOLTAGE	CATALOG NUMBER	SECTION LENGTH	DRY ARCHING DISTANCE	LEAKAGE DISTANCE	LOW FREQUENCY FLASHOVER - kV CIFO			
					60Hz			
KV		IN	IN	IN	DRY	WET	POS	NEG
15	PDI 15 -15K-CE	12.6 ± 0.2	8	17.7	90	65	140	165
25	PDI 25 -15K-CE	16.9 ± 0.2	12.5	26.0	130	100	190	210
35	PDI 35 -15K-CE	19.4 ± 0.2	15.3	37.4	145	130	250	280

HDPE PIN TYPE INSULATORS MODIFIED POLYETHYLENE PIN TYPE INSULATORS



Technical Particulars - ANSI Type

TYPE		UIP55-4	UIP55-5	UIP55-5-1	UIP55-6
Figure		1	2	2	3
Main Dimensions	A	5.10"	5.91"	5.51"	7.13"
	B	5.51"	7.48"	7.48"	7.52"
	C	3.47"	3.90"	3.94"	5.51"
	D	2.68"	2.68"	2.91"	3.35"
	E	1.00"	1.00"	1.00"	1.00"
	F	0.63"	0.79"	0.79"	0.75"
Nominal Voltage KV		15	25	25	35
Creepage Distance		14.17"	15.35"	14.57"	20.00"
Min Flashover Voltage Power Freq	Dry KV	75	89	85	110
	Pos KV	110	141	130	160
Puncture Voltage KV		160	185	180	200
Dry Arcing Distance		6.30"	7.21"	7.88"	10.00"
Cantilever Failing Load LBS		2923	2923	2923	2923