



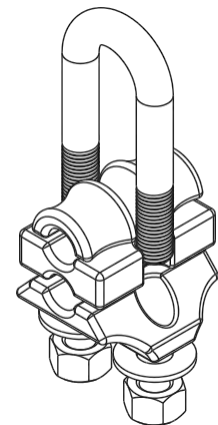
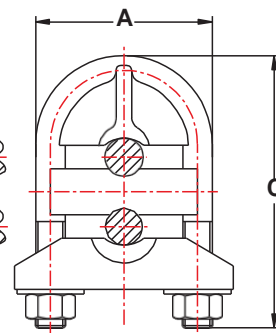
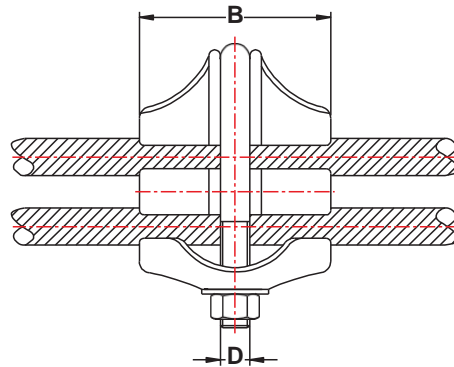
## INDEX

### SECTION 2 - BOLTED CONNECTORS

DEADEND LOOP CLAMPS -----	2-1
SINGLE GROOVE GROUND CLAMPS -----	2-2
DOUBLE GROOVE GROUND CLAMPS -----	2-3
HOT LINE CLAMPS ALUMINUM-----	2-4
HOT LINE CLAMPS BRONZE -----	2-5
ALUMINUM PARALLEL CONNECTORS -----	2-6
BRONZE PARALLEL CONNECTORS -----	2-7
BRONZE STRAIGHT TERMINAL CONNECTORS-----	2-8
TANK GROUND CONNECTORS-----	2-9
LARGE BODY TANK GROUND CONNECTORS -----	2-10
ALUMINUM VISE CONNECTORS -----	2-11
ALUMINUM VISE CONNECTORS -----	2-12



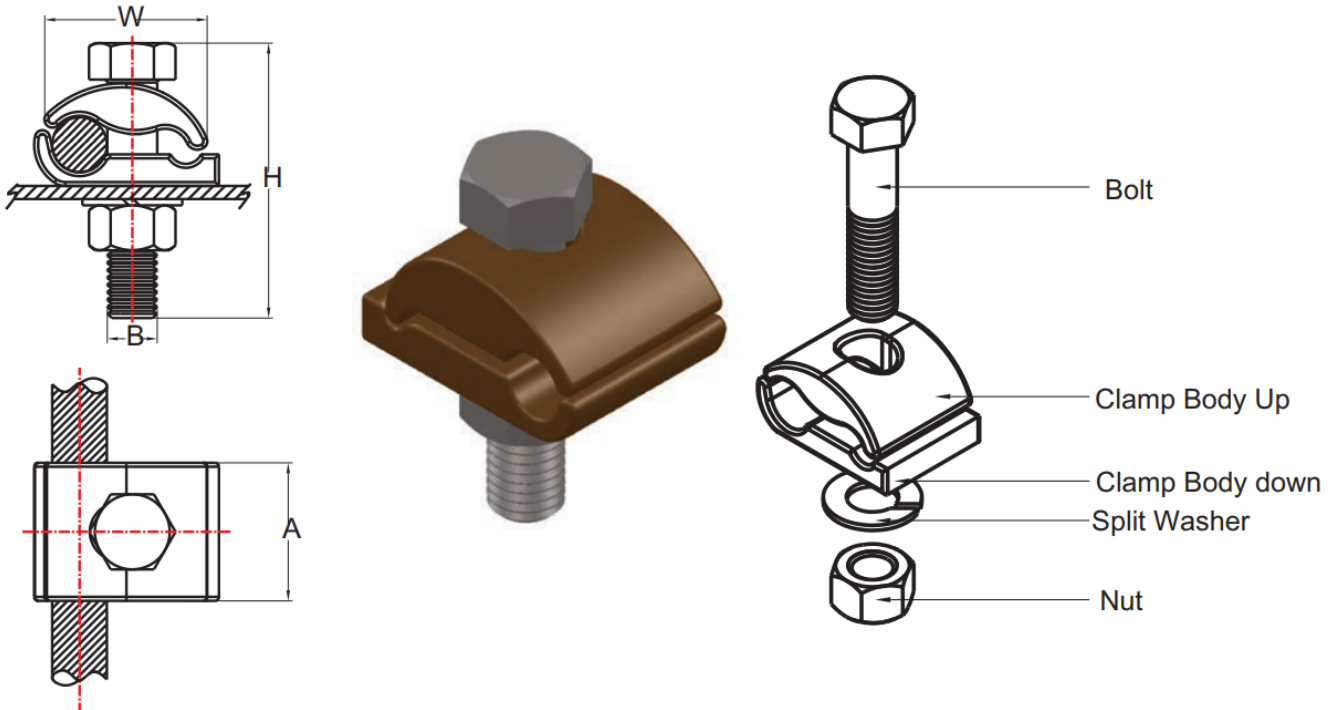
# DEADEND LOOP



CATALOG NUMBER	CONDUCTOR RANGE MAIN	CONDUCTOR RANGE TAP	DIM. A	DIM. B	DIM. C	DIM. D	APPROX. WEIGHT PER 100
PC-71B	#6 SOL.-2/0 STR. AAC #8 -2/0 ACSR	#6 SOL.-2/0 STR. AAC #8 -2/0 ACSR	2"	2"	2 7/8"	3/8"	44 LBS.
PC-72B	#6 SOL.-2/0 STR. AAC #8 -2/0 ACSR	#6 SOL.-2/0 STR. AAC #8 -2/0 ACSR	2 1/4"	2 1/4"	3 3/8"	1/2"	75 LBS.
PC-73B	1/0 SOL.-400 MCM AAC 1/0-336.4 MCM ACSR	#6 SOL.-1/0 STR. AAC #8 -1/0 ACSR	2 5/8"	2 3/4"	4"	1/2"	110 LBS.
PC-74B	1/0 SOL.-400 MCM AAC 1/0-336.4 MCM ACSR	1/0 SOL.-400 MCM AAC 1/0-336.4 MCM ACSR	2 5/8"	2 3/4"	4"	1/2"	120 LBS.
PC-75B	336.4-954 MCM AAC 300-795 MCM ACSR	#6 SOL.-1/0 STR. AAC #8 -1/0 ACSR	3"	3 1/4"	4 5/8"	1/2"	145 LBS.
PC-77B	336.4-1033.5 MCM AAC 300-954 (45/7) ACSR	336.4-1033.5 MCM AAC 300-954 (45/7) ACSR	3 3/8"	3 1/2"	5 3/8"	5/8"	195 LBS.

THE ABOVE CLAMPS ARE PRIMARILY USED FOR ACSR LOOP DEADENDS. THEY MAY ALSO BE USED FOR SPLICING OR TAP CONNECTIONS. IN SPLICING CONNECTIONS IT IS RECOMMENDED THE INSTALLER USES A SEALANT. PLEASE ADD THE SUFFIX "XB" TO THE CATALOG NUMBER FOR THIS FEATURE.

# SINGLE GROOVE GROUND CLAMPS



CATALOG NUMBER	COPPER CONDUCTOR RANGE	COPPER CONDUCTOR DIAMETER	DIM. A	DIM. H	DIM. W	DIM. B	APPROX. WEIGHT PER 100
SGGC-141	6 SOL.-2/0 STR.	.162"-.419"	1 1/4"	2"	1 5/8"	1/2"	41 LBS.
SGGC-141A-02	4 SOL.-300 MCM	.204"-.630"	1 1/2"	2 1/8"	1 7/8"	1/2"	50 LBS.
SGGC-141-03	300-500 MCM	.629"-.813"	2"	2 3/8"	2 1/2"	1/2"	94 LBS.
SGGC-141-07	4 SOL.-300 MCM	.204"-.630"	1 3/4"	2 1/4"	2 1/8"	5/8"	86 LBS.
SGGC-141-10	750-1000 MCM	.998"-1.152"	2 1/4"	3 3/8"	3"	5/8"	165 LBS.

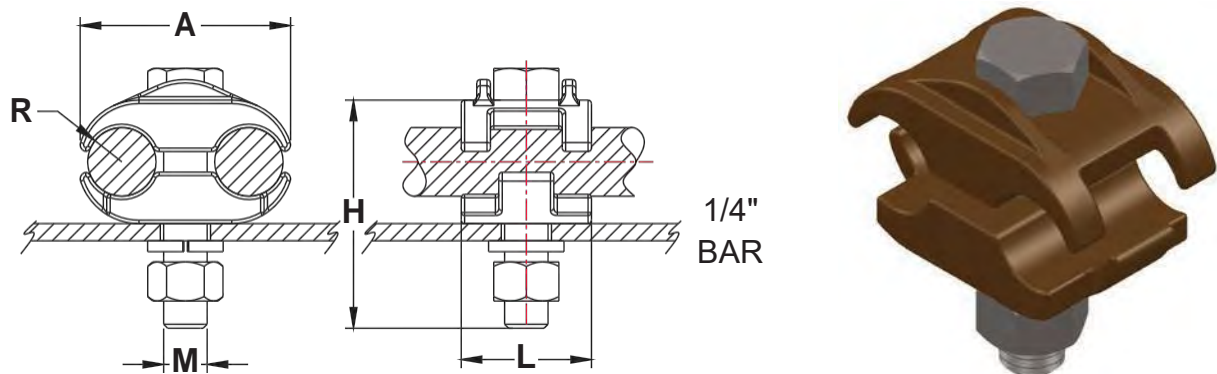
THE ABOVE SINGLE GROOVE GROUND CLAMPS ARE USED TO CLAMP COPPER CABLE TO A FLAT BAR. IF THE FLAT BAR IS THICKER THAN THE 1/4" SHOWN, THEN ADD THE THICKNESS TO THE PART NUMBER TO OBTAIN LONGER BOLTS. FOR EXAMPLE : #SGGC -141A-02-1/2 FOR 1/2" BAR.

MATERIAL : BODY -BRONZE ALLOY

HARDWARE -STAINLESS STEEL, GALVANIZED STEEL, OR SILICON BRONZE



# DOUBLE GROOVE GROUND CLAMPS



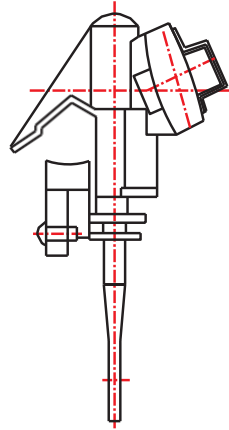
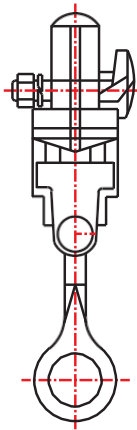
CATALOG NUMBER	COPPER CONDUCTOR RANGE	DIM. A	DIM. H	DIM. L	DIM. M	APPROX. WEIGHT PER 100
DGGC-143-01	4 SOL.-2/0 STR.	1 1/2"	2 1/4"	2"	3/8"	59 LBS.
DGGC-143A-02	4 SOL.-300 MCM	1 1/2"	2 5/8"	2 1/4"	1/2"	68 LBS.
DGGC-143B-02	4 SOL.-250 MCM	1 3/4"	2 3/4"	2 5/16"	5/8"	90 LBS.
DGGC-143-03	300-500 MCM	2"	2 3/4"	2 5/8"	1/2"	83 LBS.

THE ABOVE DOUBLE GROOVE GROUND CLAMPS ARE USED TO CLAMP TWO COPPER CABLES TO FLAT BAR. IF THE FLAT BAR IS THICKER THAN THE 1/4" SHOWN, THEN ADD THE THICKNESS TO THE CATALOG NUMBER TO OBTAIN LONGER BOLTS. FOR EXAMPLE : #DGGC-143-02-1/2 FOR 1/2" BAR. FOR GALVANIZED HARDWARE ADD THE SUFFIX "G" TO THE CATALOG NUMBER.

MATERIAL : BODY-BRONZE ALLOY  
HARDWARE-STAINLESS STEEL, GALVANIZED STEEL, OR SILICON BRONZE



# HOT LINE CLAMPS ALUMINUM

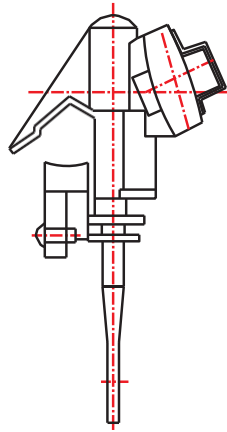
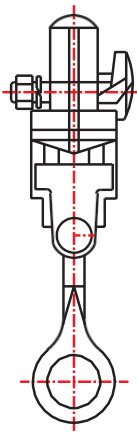


CATALOG NUMBER	TYPE OF CONNECTION MAIN TAP	MAIN LINE RANGE		TAP LINE RANGE		RECOMMENDED TORQUE OF EYE SCREW AND TERMINAL	WEIGHT PER 100 PIECES
		DIA. INCHES	SIZE MCM/AWG	DIA. INCHES	SIZE MCM/AWG		
UHC520AA	ALUM. TO ALUM.	.128" TO .414"	6 ACSR TO 1/0 ACSR	.128" TO .438"	6 ACSR TO 1/0 ACSR	180 INCH – POUND	40 LBS.
UHC520AGP	GENERAL PURPOSE ALUMINUM BODY	.128" TO .414"	6 ACSR TO 1/0 8 SOL. TO 2/0 CU.	.128" TO .414"	6 ACSR TO 1/0 8 SOL. TO 2/0 CU.	180 INCH – POUND	42 LBS.
UHC530AA	ALUM. TO ALUM.	.162" TO .745"	6 ACSR TO 336 ACSR	.162" TO .547"	6 ACSR TO 3/0 ACSR	200 INCH – POUND	68 LBS.
UHC530AC	ALUM. TO COPPER	.162" TO .745"	6 ACSR TO 336 ACSR	.162" TO .547"	6 SOL. CU. TO 4/0 STR.	200 INCH – POUND	72 LBS.
UHC530AGP	GENERAL PURPOSE ALUMINUM BODY	.162" TO .745"	6 ACSR TO 336 ACSR	.162" TO .547"	6 ACSR TO 3/0 6 CU. TO 4/0	200 INCH – POUND	70 LBS.
UHC535AA	ALUM. TO ALUM.	.250" TO .806"	4 ACSR TO 397.5 ACSR	.204" TO .806"	4 STR. AL. TO 397.5	300 INCH – POUND	70 LBS.
UHC535AGP	GENERAL PURPOSE ALUMINUM BODY	.250" TO .806"	4 ACSR TO 397.5 ACSR	.204" TO .806"	4 SOL. CU. TO 397.5	300 INCH – POUND	87 LBS.
UHC540AA	ALUM. TO ALUM.	.502" TO 1.031"	4 ACSR W/Armor TO 266.8 W/Armor	.198" TO .703"	6 ACSR TO 266.8 ACSR	250 INCH – POUND	107.5 LBS.
UHC540AC	ALUM. TO COPPER	.502" TO 1.031"	4 ACSR W/Armor TO 266.8 W/Armor	.198" TO .703"	4 SOL. CU. TO 300 STR.	250 INCH – POUND	109 LBS.
UHC540AGP	GENERAL PURPOSE ALUMINUM BODY	.502" TO 1.031"	4 ACSR W/Armor TO 266.8 W/Armor	.198" TO .703"	6 ACSR TO 266.8 4 SOL. CU. TO 300	250 INCH – POUND	110 LBS.
UHC545AA	ALUM. TO ALUM.	.939" TO 1.490"	4/0 ACSR W/Armor 556.5 ACSR W/Armor	.198" TO .703"	6 ACSR TO 266.8 ACSR	250 INCH – POUND	125 LBS.
UHC545AGP	GENERAL PURPOSE ALUMINUM BODY	.939" TO 1.49"	4/0 ACSR W/Armor 556.5 ACSR W/Armor	.198" TO .703"	6 ACSR TO 266.8 4 SOL. CU. TO 300	250 INCH – POUND	128 LBS.

THE UHC HOT LINE CLAMPS ARE OFFERED IN A VARIETY OF CONDUCTOR COMBINATIONS. EACH EYE SCREW IS FILLED WITH INHIBITOR TO PREVENT CORROSION AND PROMOTE AN EASE OF OPERATION. CLAMPS THAT END WITH THE SUFFIX "GP" HAVE A FORTIFIED PLATING FOR FURTHER PROTECTION. ALSO OFFERED IS THE CHOICE OF A 1/2" TAP BOLT INSTEAD OF THE STANDARD 3/8".



# HOT LINE CLAMPS BRONZE



CATALOG NUMBER	TYPE OF CONNECTION		MAIN LINE RANGE		TAP LINE RANGE		RECOMMENDED TORQUE OF EYE SCREW AND TERMINAL	WEIGHT PER 100 PIECES
	MAIN	TAP	DIA. INCHES	SIZE MCM/AWG	DIA. INCHES	SIZE MCM/AWG		
UHC520CC	COPPER TO COPPER		.128" TO .414"	8 SOL. CU. TO 2/O STR.	.128" TO .438"	8 SOL. CU. TO 2/O STR.	180 INCH - POUND	69 LBS.
UHC520GP	GENERAL PURPOSE BRONZE BODY		.128" TO .414"	6 ACSR TO 1/O 8 SOL. CU. TO 2/O	.128" TO .438"	6 ACSR TO 1/O 8 SOL. CU. TO 2/O	180 INCH - POUND	71 LBS.
UHC530CC	COPPER TO COPPER		.162" TO .745"	6 SOL. CU. TO 400 STR.	.162" TO .547"	6 SOL. CU. TO 4/O STR.	200 INCH - POUND	132 LBS.
UHC530GP	GENERAL PURPOSE BRONZE BODY		.162" TO .745"	6 SOL. CU. TO 400 STR.	.162" TO .547"	6 ACSR TO 3/O 6 SOL. CU. TO 4/O	200 INCH - POUND	136 LBS.
UHC540CC	COPPER TO COPPER		.502" TO 1.031"	2 CU. W/ Ar-mor 300 CU. W/ Armor	.198" TO .703"	4 SOL. CU. TO 300 CU.	250 INCH - POUND	96 LBS.
UHC540GP	GENERAL PURPOSE BRONZE BODY		.502" TO 1.031"	2 CU. W/ Ar-mor 300 CU. W/ Armor	.198" TO .703"	6 ACSR TO 266.8 4 SOL. CU. TO 300	250 INCH - POUND	98 LBS.

THE UHC SERIES OF BRONZE HOT LINE CLAMPS ARE PRIMARILY MADE FOR USE ON COPPER CONDUCTOR. EACH EYE SCREW IS FILLED WITH INHIBITOR TO PREVENT CORROSION AND PROMOTE AN EASE OF OPERATION. CLAMPS THAT END WITH THE SUFFIX "GP" HAVE A TIN PLATING FOR FURTHER PROTECTION. ALSO OFFERED IS THE CHOICE OF A 1/2" TAP BOLT INSTEAD OF THE STANDARD 3/8".



# ALUMINUM PARALLEL CONNECTORS

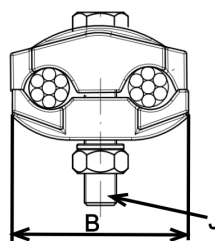
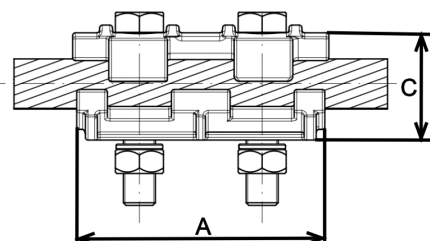
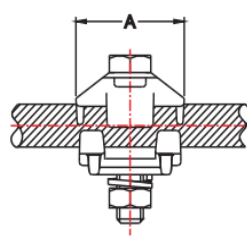
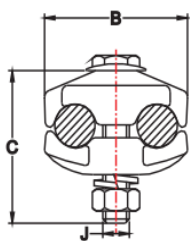
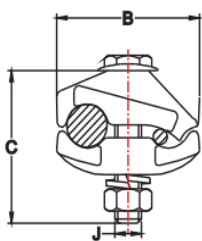
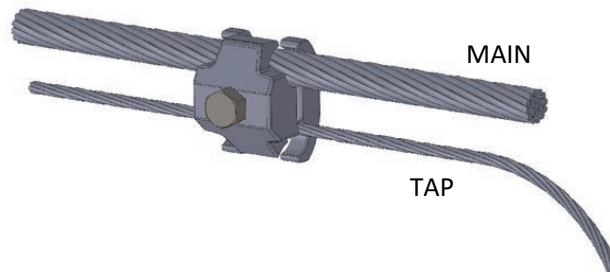


Fig 1

Fig 1 (Side)

Fig 2

CATALOG NUMBER	MAIN LINE RANGE	TAP LINE RANGE	LENGTH DIA. INCHES A	WIDTH DIA. INCHES B	HEIGHT DIA. INCHES C	BOLT J DIA. INCHES	WEIGHT PER 100 PIECES
PC- 51 - A <i>Fig 1</i>	8 SOL.- 1/0 STR. AAC 8 ACSR- 1/0 ACSR	8 SOL.- 2 STR. AAC 8 ACSR- 2 ACSR 8 SOL.- 2 STR. CU.	1-1/8"	1-13/32"	1-1/2"	5/16"	14 Lbs
PC- 51 - C <i>Fig 1</i>	8 SOL.- 1/0 STR. AAC 8 ACSR- 1/0 ACSR	8 SOL.- 1/0 STR. AAC 8 ACSR- 1/0 ACSR 8 SOL.- 1/0 STR. CU.	1-1/4"	1-17/32"	2"	3/8"	19 Lbs
PC- 52 - A *PC- 522 - A <i>Fig 1</i>	8 SOL.- 2/0 STR. AAC 8 ACSR-2/0 ACSR	8 SOL.- 2/0 STR. AAC 8 ACSR- 2/0 ACSR 8 SOL.- 2/0 STR. CU.	1-3/8"	1-21/32"	2"	3/8"	22 Lbs
PC- 52 - C <i>Fig 1</i>	1 SOL.- 400 MCM AAC 1 ACSR- 336.4 ACSR.	8 SOL.- 2/0 STR. AAC 8 ACSR- 2/0 ACSR 8 SOL.- 2/0 STR. CU.	2"	2-11/32"	2-1/4"	3/8"	28 Lbs
PC- 66 - A <i>Fig 2</i>	1 SOL.- 400 MCM AAC 1 ACSR- 397.5 ACSR	1/0 (19) - 400 MCM AAC 1/0-397.5 (18/1) ACSR 1/0 SOL. -400 MCM Cu	3-1/2"	2-3/8"	2-3/4"	1/2"	110 Lbs

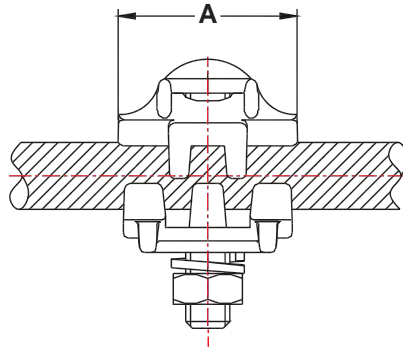
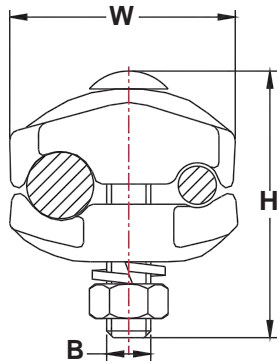
IT IS RECOMMENDED THAT THE CONNECTORS BE PREFILLED WITH SEALANT. THIS CAN BE DONE AT THE FACTORY BY ADDING THE SUFFIX "XB" TO THE PART NUMBER. TO ORDER TIN PLATED SURFACE, ADD THE SUFFIX "T" TO THE PART NUMBER.

WITH THE USE OF THIS CLAMPS INTERLOCKING FEATURES, THE TOP AND BOTTOM PART OF THE CLAMP ARE ABLE TO FULLY EMBRACE ANY CONDUCTOR COMBINATIONS. OTHER SIZES ARE AVAILABLE UPON REQUEST. CONTACT US FOR SPECIFIC DRAWINGS ON ANY OF THE ABOVE CONNECTORS.

\*BIMETALLIC LINER ON TAP SIDE- COPPER.



# BRONZE PARALLEL CONNECTORS



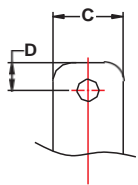
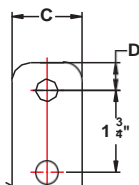
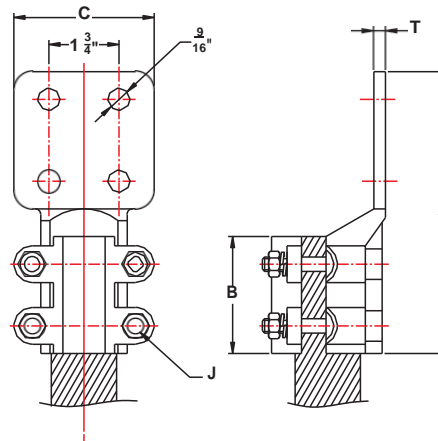
CATALOG NUMBER	CONDUCTOR MAIN RANGE	CONDUCTOR TAP RANGE	DIM. A	DIM. W	DIM. H	DIM. B	WT. EACH
BPC- 1601	1/0 SOL.- 4/0 STR. CU.	8 SOL.- 1 STR. CU.	2"	1 3/4"	2"	3/8"	.56 LBS.
BPC- 1602	1/0 SOL.- 400 MCM CU.	8 SOL.- 3/0 STR. CU.	2 3/8"	2 1/4"	2 3/4"	1/2"	1.04 LBS.

THE ABOVE BRONZE PARALLEL CONNECTORS ARE USED PRIMARILY FOR COPPER TO COPPER CONNECTIONS. THIS SERIES IS FURNISHED WITH A SINGLE CENTER BOLT.

MATERIAL : BODY-HIGH STRENGTH BRONZE ALLOY  
HARDWARE-SILICON BRONZE



## BRONZE STRAIGHT TERMINAL CONNECTORS


**Fig.1**

**Fig.2**

**Fig.3**


CATALOG NUMBER	FIG. NO.	COPPER RANGE SMALL GROOVE	COPPER RANGE LARGE GROOVE	COPPER DIA. INCHES	DIM. A	DIM. B	DIM. D	DIM. T	DIM. C	WT. EA. LBS.
BSL – 020 – A	1	6 SOL.– 2STR.	2 SOL– 2/0 STR.	.162– .149	4 1/2"	2 1/2"	3/4"	1/4"	1 1/2"	1.2
BSL – 022 – B	2	6 SOL– 2 STR.	2 SOL.– 2/0 STR	.162– .149	5 3/4"	2 1/2"	5/8"	1/4"	1 1/2"	1.5
BSL – 022 – C	3	6 SOL– 2 STR.	2 SOL.– 2/0 STR	.162– .149	5 7/8"	2 1/2"	5/8"	1/4"	3"	1.8
BSL – 025 – B	2	6 SOL– 1/0 STR	2/0 SOL– 250	.204– .575	6 1/8"	2 3/4"	5/8"	1/4"	3"	1.4
BSL – 025 – C	3	6 SOL– 1/0 STR	2/0 SOL– 250	.204– .575	6 1/8"	2 3/4"	5/8"	1/4"	3"	2.0
BSL – 050 – B	2	1/0 SOL– 4/0	250– 500 MCM	.325 – .813	6 1/4"	2 3/4"	5/8"	3/8"	2"	2.1
BSL – 050 – C	3	1/0 SOL– 4/0	250– 500 MCM	.325– .813	6 1/4"	2 3/4"	5/8"	5/16"	3"	2.4

THE ABOVE BSL SERIES OF BRONZE ALLOY TERMINALS ARE FURNISHED WITH 3/8" DIAMETER HEX HEAD BOLTS. THESE CONNECTORS ARE USED FOR CONNECTING COPPER CONDUCTOR TO COPPER FLAT. THE REVERSIBLE FEATURE OF THIS CLAMP OFFERS THE CUSTOMER A WIDE RANGE OF CONDUCTOR COMBINATIONS. HARDWARE FURNISHED IS SILICON BRONZE OR STAINLESS STEEL. ANGLE CONNECTORS ARE AVAILABLE AND MAY BE REQUESTED BY ADDING THE SUFFIX "Y45" OR "Y90". (MINIMUM PRODUCTION RUN FOR THESE IS REQUIRED)

FOR TIN PLATING ADD THE SUFFIX "TP" TO THE CATALOG NUMBER.

# TANK GROUND CONNECTORS

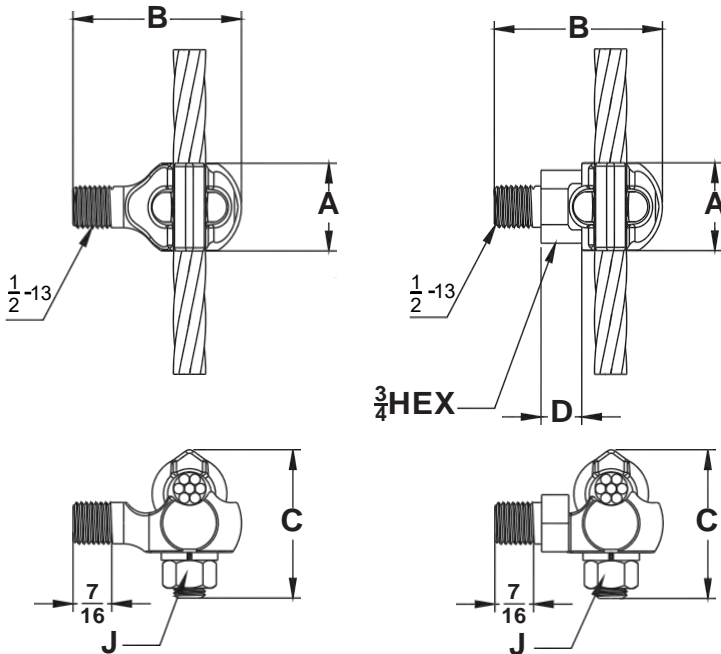


FIG.1

FIG.2



CATALOG NUMBER	COPPER CABLE RANGE	WIRE RANGE DIAMETER INCHES	FIG. NO.	LENGTH DIA. INCHES A	WIDTH DIA. INCHES B	HEIGHT DIA. INCHES C	BOLT J DIA.	WEIGHT PER 100 PIECES
UTGC - 1	10 SOL.- 1 STR.	.102" - .332"	1	7/8"	1-3/8"	1-1/2"	3/8"	20 LBS.
UTGC - 20	8 SOL.- 2/0 STR.	.128" - .419"	1	1"	1-17/32"	1-7/8"	3/8"	25 LBS.
UTGC - 250	6 SOL.- 250 STR.	.162" - .575"	2	1-1/4"	2"	2-3/8"	3/8"	34 LBS.

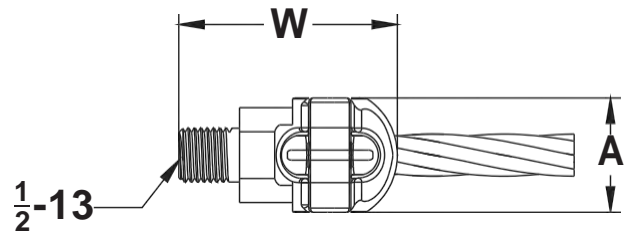
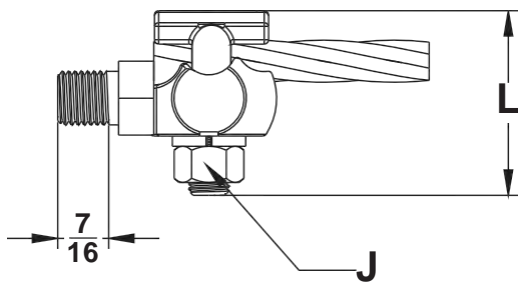
THE ABOVE UTGC SERIES OF TRANSFORMER GROUND CONNECTORS ARE CAST OF HIGH CONDUCTIVITY BRONZE. THESE CONNECTORS ARE FURNISHED WITH A 1/2 INCH 13 THREAD STUD WHICH WILL FIT ALL STANDARD EEI NEMA TRANSFORMERS. FIGURE 1 IN THIS SERIES HAS FLAT SIDES ON THE BODY ALLOWING THE USE OF AN OPEN END WRENCH FOR TIGHTENING. FIGURE "2" IS FURNISHED WITH A HEX HEAD SURFACE.

TO OBTAIN ABOVE CONNECTORS WITH AN ALUMINUM BODY, ADD THE PREFIX "A" TO THE CATALOG NUMBER.

TIN PLATING IS ALSO AVAILABLE BY ADDING THE SUFFIX "TP" TO THE CATALOG NUMBER.



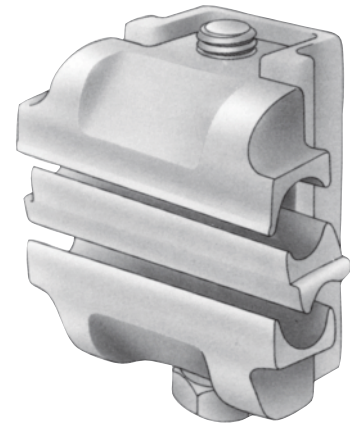
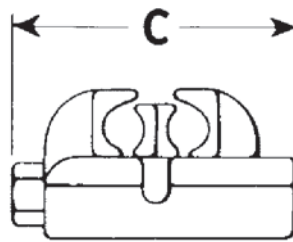
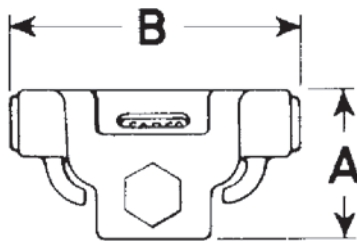
# LARGE BODY TANK GROUND CONNECTORS



CATALOG NUMBER	COPPER CABLE RANGE	WIRE RANGE DIAMETER INCHES	DIA. INCHES A	DIA. INCHES L	DIA. INCHES W	BOLT J DIA. INCHES	WEIGHT PER 100 PIECES
UTGC – 1L	10 SOL.– 1 STR.	.102" - .332"	1-1/8"	1-5/8"	1-1/2"	3/8"	29 LBS.
UTGC – 2/0L	8 SOL.– 2/0 STR.	.128" - .419"	1-1/4"	1-7/8"	1-7/8"	3/8"	34 LBS.
UTGC – 250L	6 SOL.– 250 STR.	.162" - .575"	1-5/8"	2-3/8"	2-3/8"	1/2"	45 LBS.

THE ABOVE UTGC – L SERIES OF TRANSFORMER GROUND CONNECTORS ARE CAST OF HIGH CONDUCTIVITY BRONZE. THIS STYLE OFFERS A LARGER BODY FOR MORE HEAVY DUTY APPLICATIONS. THESE CONNECTORS ARE FURNISHED WITH A 1/2 INCH 13 THREAD STUD WHICH WILL FIT ALL STANDARD EEI - NEMA TRANSFORMERS. HARDWARE USED IS EITHER A SILICON BRONZE OR A STAINLESS STEEL MATERIAL.

# ALUMINUM VISE CONNECTORS



SINGLE BOLT ALUMINUM CONNECTORS											Insulated Snap-On Cover	
Cat. No.	CONDUCTOR RANGE								Approx. DIMENSIONS Inches			Cat. No.
	RUN				TAP							
	Max.		Min.		Max.		Min.		A	B	C	
	ACSR	Al.	ACSR	Al.	ACSR	Al. or Cu.	ACSR	Al. or Cu.				
AVC-9003L*	4	2 Sol.	6	8 Sol.	4	2 Sol.	6	8 Sol.	7/8	1-1/4	1-3/4	CAVC-9000B2
AVC-9002L	2	1 Str.	6	6 Sol.	2	1 Str.	6	12 Sol.	1-1/8	1-7/8	2-1/8	CAVC-9000B2
AVC-9020L	1/0	2/0 Str.	6	6 Sol.	1/0	2/0 Str.	6	6 Sol.	1-1/4	2-1/8	2-3/8	CAVC-9000B2
AVC-9040L	4/0	4/0 Str.	2	1 Str.	4/0	4/0 Str.	2	1 Str.	1-1/2	2-3/4	3-1/8	CAVC-9000B3
AVC-9041L	4/0	4/0 Str.	2	1 Str.	2/0	2/0 Str.	6	6 Sol.	1-1/2	3-3/8	3-1/8	CAVC-9000B3
AVC-9405L	3/0	3/0 Str.	4	4 Str.		4 Str.		12 Sol.	1-1/2	1-7/8	2-1/2	CAVC-9000B2
AVC-9400L	336,400	397,500	3/0	4/0 Str.	346,400	397,000	3/0	4/0 Str.	2-1/16	3-1/2	3-1/2	CAVC-9000B3
AVC-9401L	336,400	397,500	3/0	4/0 Str.	4/0	266,800	6	6 Sol.	2-1/16	4	3-1/2	CAVC-9000B3
AVC-9842L	666,000	800,000	4/0	266,800	2/0	2/0	6	6 Sol.	2	3-5/8	3-3/4	CAVC-9000B3
AVC-9843L	666,000	800,000	4/0	266,800	4/0	4/0	2	1 Str.	2	3-5/8	3-3/4	CAVC-9000B3

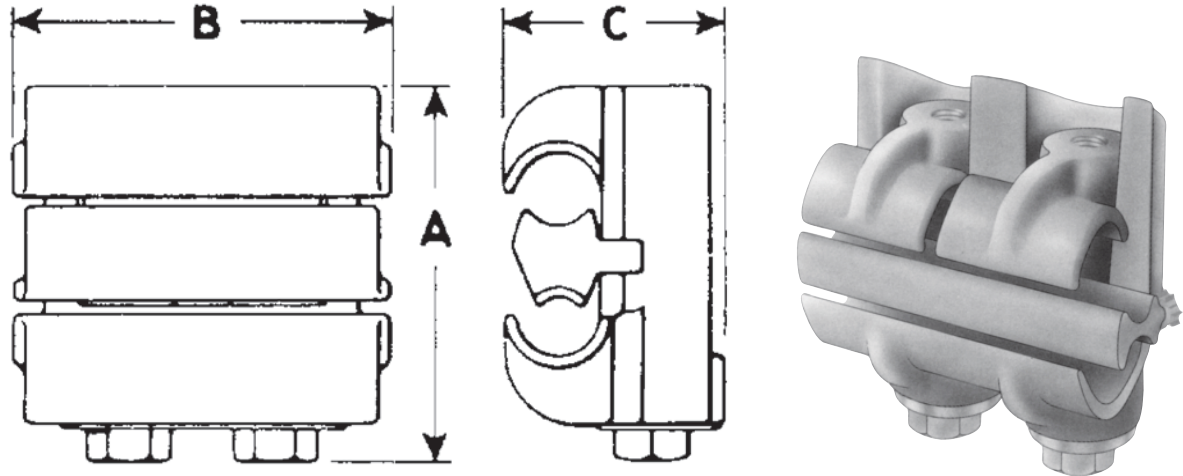
CONNECTORS FOR SPECIAL APPLICATIONS												
AVC-9402L	4/0	4/0	1/0	1/0	2	2		6 Sol.	7/8	1-1/4	1-3/4	CAVC-9000B2
AVC-9404L	4/0	4/0	4	4 Str.		10 Sol.		12 Sol.	1-1/8	1-7/8	2-1/8	CAVC-9000B2
AVC-9407L		477,000		3/0		2 Str.		6 Sol.	1-1/4	2-1/8	2-3/8	CAVC-9000B2
AVC-9408L		300,000		300,000		4 Str.		4 Str.	1-1/2	2-3/4	3-1/8	CAVC-9000B3
AVC-9844L	666,000	800,000	477,000	477,000	336,400	397,500	4/0	266,800	3	3	4-3/4	CAVC-9000B5
AVC-9954L	795,000	954,000		795,000		336,400		1/0	3	3	4-3/4	CAVC-9000B5

\*26/7 ACSR    \*Stainless steel bolt.

All other connectors have high strength aluminum bolts with a special finish to prevent seizing and galling.



# ALUMINUM VISE CONNECTORS



## ALUMINUM CONNECTORS FOR ALUMINUM TO ALUMINUM

Cat. No.	CONDUCTOR RANGE								Approx. DIMENSIONS Inches		
	RUN				TAP						
	Max.		Min.		Max.		Min.		A	B	C
	ACSR	Al.	ACSR	Al.	ACSR	Al. or Cu.	ACSR	Al. or Cu.			
AVC-924GL	4/0	4/0 Str.	2	1 Str.	4/0	4/0 Str.	2	1 Str.	3-1/4	3-3/4	1-3/4
AVC-9520GL*	477,000	600,000	4/0	250,000	477,000	600,000	4/0	250,000	4	4-1/4	2-1/2
AVC-9521GL*	477,000	600,000	4/0	250,000	4/0	266,800	4	4 Str.	4	4-1/4	2-1/2
AVC-9820GL**	795,000	800,000	336,400	477,000	795,000	800,000	336,400	477,000	5-1/2	4-1/2	2-3/4
AVC-9821GL**	795,000	800,000	336,400	477,000	397,500	477,000	3/0	4/0	5-1/2	4-1/2	2-3/4
AVC-9100GL	1,272,000	1,500,000	636,000	795,000	1,272,000	1,500,000	636,000	795,000	5-3/4	6-1/4	2-7/8
AVC-9101GL	1,272,000	1,500,000	636,000	795,000	636,000	795,000	336,400	336,400	5-3/4	6-1/4	2-7/8