



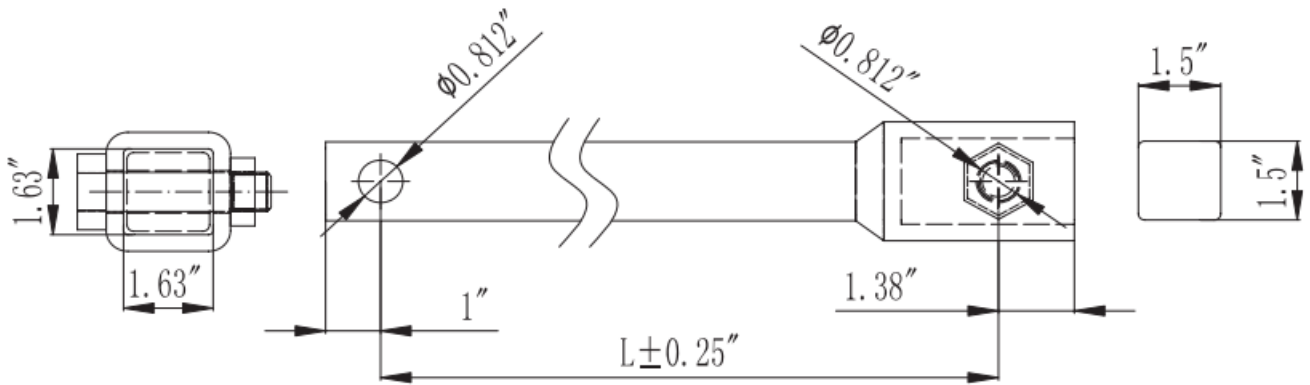
INDEX

SECTION 12 - HELIX ANCHOR PRODUCTS

SQUARE SHANK EXTENSIONS WITHOUT HELIX -----	12-1
SOLID SQUARE HUB SINGLE HELIX POWER DRIVEN ANCHORS -----	12-2
SOLID SQUARE HUB SINGLE HELIX POWER DRIVEN ANCHORS -----	12-3
SOLID SQUARE HUB TWIN HELIX POWER DRIVEN ANCHORS -----	12-4
SOCKET ANCHORS -----	12-5
SOCKET ANCHORS -----	12-6
POWER INSTALLED SCREW ANCHOR RODS & ROD WITH EYENUTS -----	12-7
NO WRENCH ANCHORS -----	12-8
EXPANDING ROCK ANCHORS -----	12-9



SQUARE SHANK EXTENSIONS WITHOUT HELIX



1.5 Inch (3.8 cm) Square Solid Shaft; 5,500 Ft.-Lb (7,657 n-m) Ultimate Installing Torque (Use with 5,500 ft-lb lead section)		
Catalog Number	Length Inch (mm)	Weight Lbs (kg)
G6616-U	40 (1016)	28.2 (12.8)
G6620-U	58 (1473)	40 (18.1)
G6625-U	82 (2083)	57 (25.9)
G6630-U	118 (2997)	81 (36.7)

Materials: Steel with blue paint

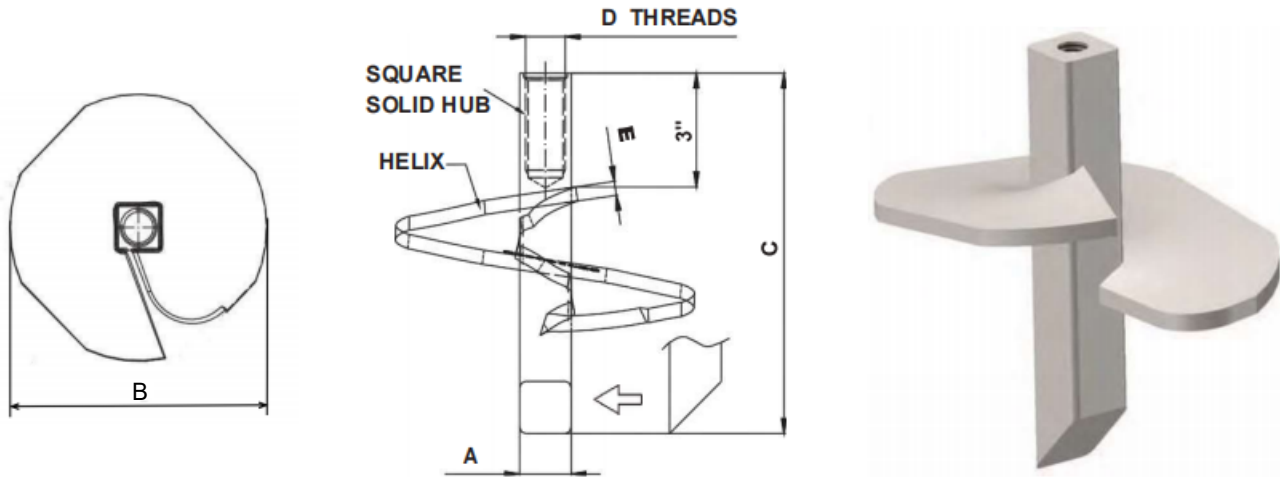
Extensions range from 3.5 feet (1.07 m) to 10 feet (3.0 m) in length

The integral forged socket end is bolted to the installed multi-helix or extension and the anchor installation resumed

The extension torque rating must match the lead section



SOLID SQUARE HUB SINGLE HELIX POWER DRIVEN ANCHORS



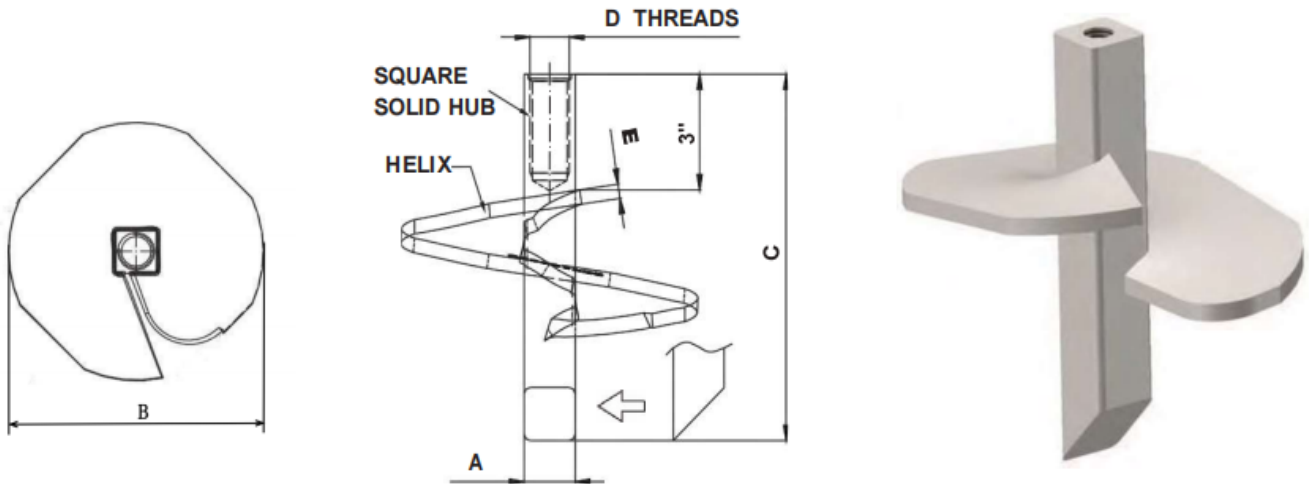
1-3/8" Square Solid Hub-4000 Ft.Lb.Ultimate Installing Torque For Standard Installing Tool					
Catalog No.	A	B	C	D	E
G82	1 3/8	8	9 1/2	5/8	3/8
G84	1 3/8	8	9 1/2	3/4 or 1	3/8
G102	1 3/8	10	9 1/2	5/8	3/8
G104	1 3/8	10	9 1/2	3/4 or 1	3/8
G112	1 3/8	12	9 1/2	5/8	3/8
G114	1 3/8	12	9 1/2	3/4 or 1	3/8
G134	1 3/8	14	9 1/2	3/4 or 1	3/8

1-3/8" Square Solid Hub-6000 Ft.Lb.Ultimate Installing Torque For Standard Installing Tool					
Catalog No.	A	B	C	D	E
G826	1 3/8	8	9 1/2	5/8	3/8
G846	1 3/8	8	9 1/2	3/4 or 1	3/8
G1026	1 3/8	10	9 1/2	5/8	3/8
G1046	1 3/8	10	9 1/2	3/4 or 1	3/8
G1126	1 3/8	12	9 1/2	5/8	3/8
G1146	1 3/8	12	9 1/2	3/4 or 1	3/8
G1346	1 3/8	14	9 1/2	3/4 or 1	3/8

Materials:Steel with blue paint



SOLID SQUARE HUB SINGLE HELIX POWER DRIVEN ANCHORS

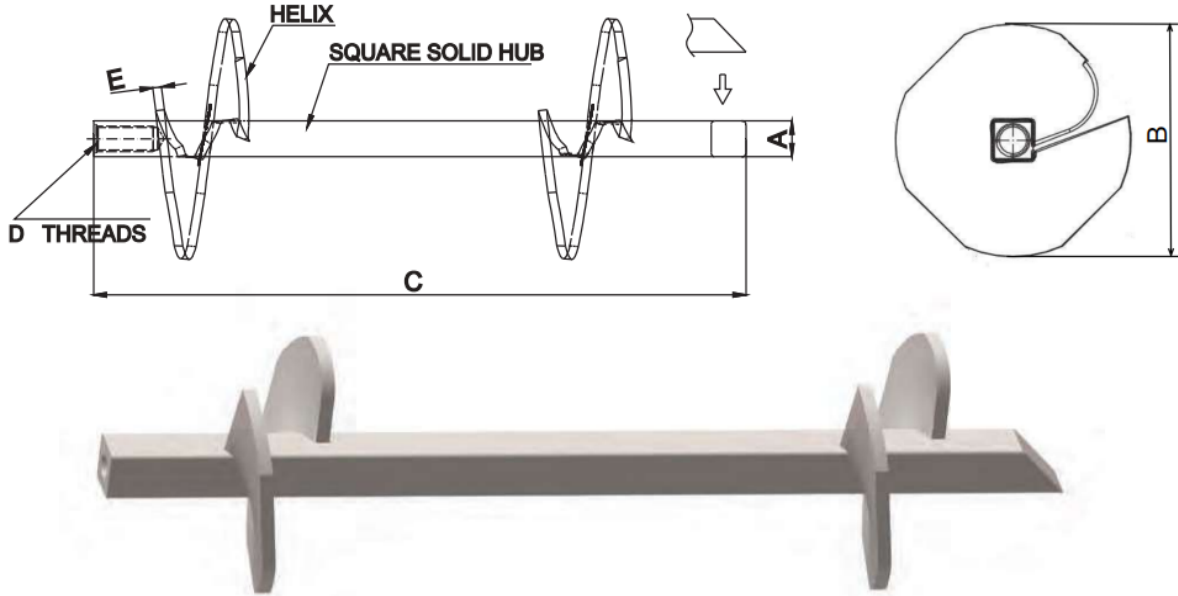


1-1/2" Square Solid Hub-6000 Ft.Lb.Ultimate Installing Torque For Standard Installing Tool					
Catalog No.	A	B	C	D	E
G182	1 1/2	8	9 1/2	5/8	3/8
G184	1 1/2	8	9 1/2	3/4 or 1	3/8
G1102	1 1/2	10	9 1/2	5/8	3/8
G1104	1 1/2	10	9 1/2	3/4 or 1	3/8
G1114	1 1/2	12	9 1/2	3/4 or 1	3/8
G1134	1 1/2	14	9 1/2	3/4 or 1	3/8

1-1/2" Square Solid Hub-7000 Ft.Lb.Ultimate Installing Torque For Standard Installing Tool					
Catalog No.	A	B	C	D	E
G1847	1 1/2	8	9 1/2	3/4 or 1	3/8
G11047	1 1/2	10	9 1/2	3/4 or 1	3/8
G11147	1 1/2	12	9 1/2	3/4 or 1	3/8

Materials:Steel with blue paint

SOLID SQUARE HUB TWIN HELIX POWER DRIVEN ANCHORS



1-3/8" Square Solid Hub-4000 Ft.Lb.Ultimate Installing Torque For Standard Installing Tool					
Catalog No.	A	B	C	D	E
G84-2	1 3/8	(2)8	28	3/4 or 1	3/8
G104-2	1 3/8	(2)10	28	3/4 or 1	3/8

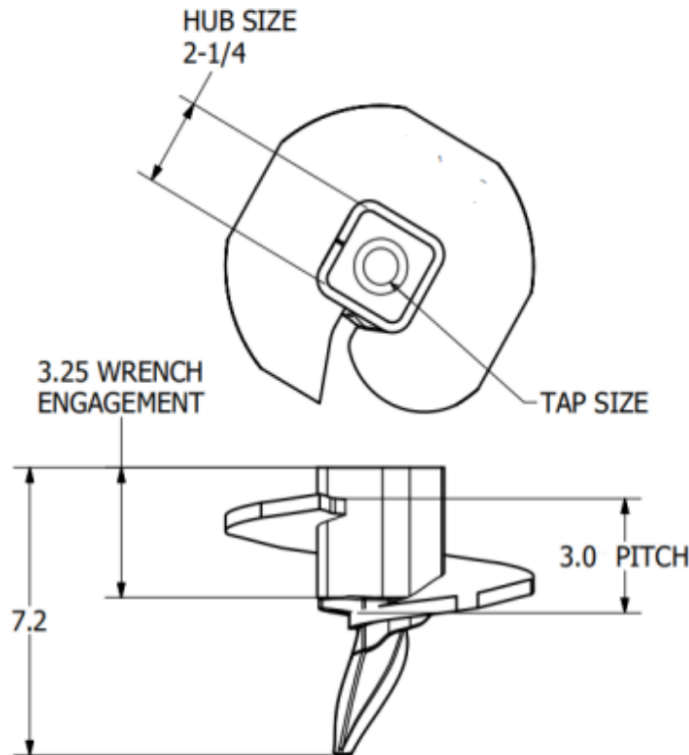
1-3/8" Square Solid Hub-6000 Ft.Lb.Ultimate Installing Torque For Standard Installing Tool					
Catalog No.	A	B	C	D	E
G84-2-6	1 3/8	(2)8	28	3/4 or 1	3/8
G104-2-6	1 3/8	(2)10	28	3/4 or 1	3/8

1-1/2" Square Solid Hub-6000 Ft.Lb.Ultimate Installing Torque For Standard Installing Tool					
Catalog No.	A	B	C	D	E
G284	1 1/2	(2)8	28	3/4 or 1	3/8
G2104	1 1/2	(2)10	28	3/4 or 1	3/8

1-1/2" Square Solid Hub-7000 Ft.Lb.Ultimate Installing Torque For Standard Installing Tool					
Catalog No.	A	B	C	D	E
G2447	1 1/2	(2)4	28	3/4 or 1	3/8
G2847	1 1/2	(2)8	28	3/4 or 1	3/8
G21047	1 1/2	(2)10	28	3/4 or 1	3/8

Materials:Steel with blue paint

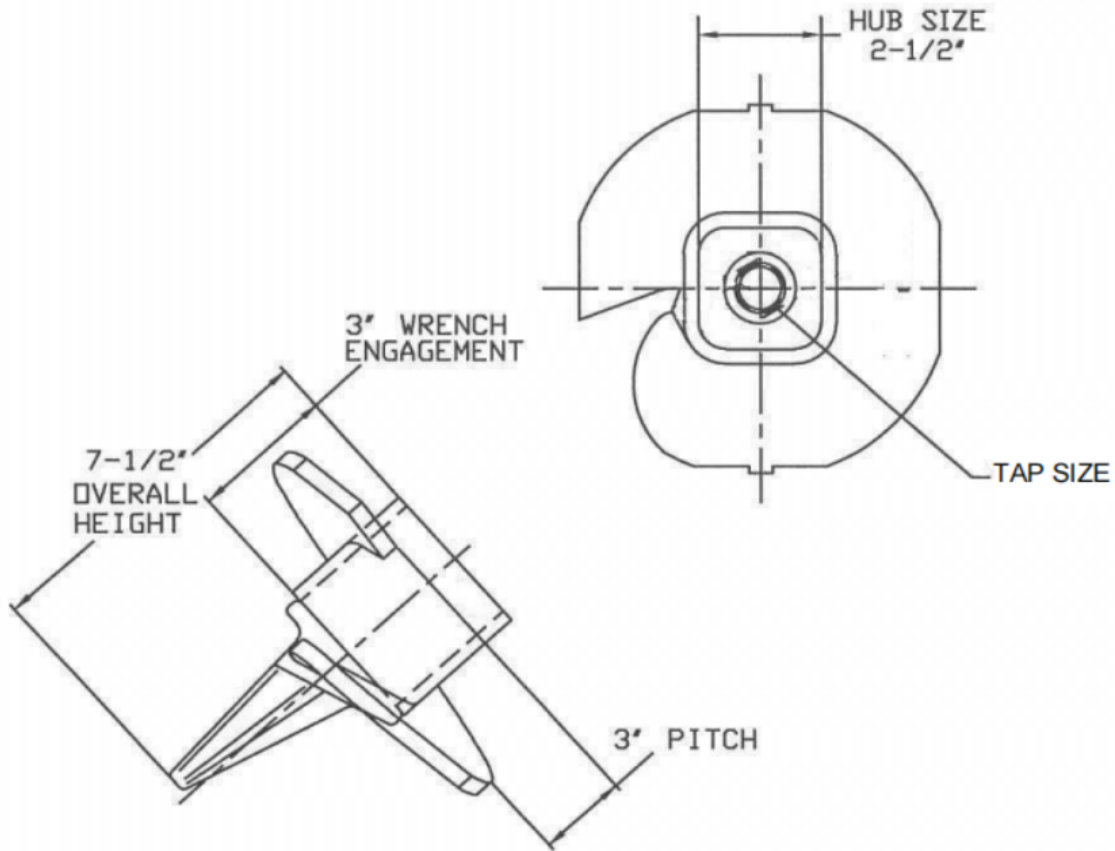
SOCKET ANCHORS



Catalog No.	HELIX SIZE DIA & THICKNESS	TORQUE (FT-LBS)	TAP SIZE	TENSILE STRENGTH (LBS)	PROJECTED AREA(SQUARE INCHES)
G225-82	8 X 3/8	8,000	5/8	16,000	45
GH225-82	8 X 1/2	10,000	5/8	36,000	45
G225-84	8 X 3/8	8,000	3/4,1	36,000	45
GH225-84	8 X 1/2	10,000	3/4,1	36,000	45
G225-102	10 X 3/8	8,000	5/8	16,000	72
GH225-102	10 X 1/2	10,000	5/8	36,000	72
G225-104	10 X 3/8	8,000	3/4,1	36,000	72
GH225-104	10 X 1/2	10,000	3/4,1	36,000	72
G225-112	12 X 3/8	8,000	5/8	16,000	104
GH225-112	12 X 1/2	10,000	5/8	36,000	104
G225-114	12 X 3/8	8,000	3/4,1	36,000	104
GH225-114	12 X 1/2	10,000	3/4,1	36,000	104
G225-134	14 X 3/8	8,000	3/4,1	36,000	141
GH225-134	14 X 1/2	10,000	3/4,1	36,000	141

Materials: Steel with blue paint

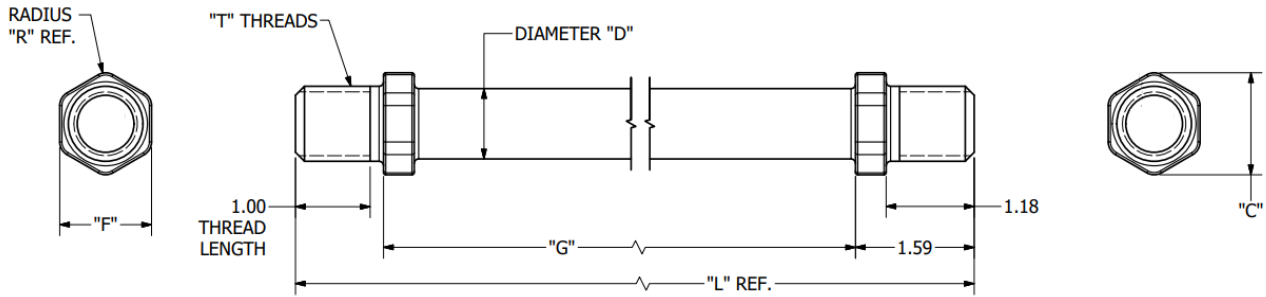
SOCKET ANCHORS



Catalog No.	SIZE	TORQUE (FT-LBS)	TAP SIZE	TENSILE STRENGTH (LBS)	PROJECTED AREA(SQUARE INCHES)
GH250-84	8"	15,000	1"	36,000	45
GD250-84	8"	10,000	1"	36,000	45
GD250-82	8"	10,000	5/8"	16,000	45
GH250-104	10"	15,000	1"	36,000	72
GD250-104	10"	10,000	1"	36,000	72
GH250-114	12"	15,000	1"	36,000	104
GD250-114	12"	10,000	1"	36,000	104
GH250-134	14"	15,000	1"	36,000	141
GD250-134	14"	10,000	1"	36,000	141

Materials: Steel with blue paint

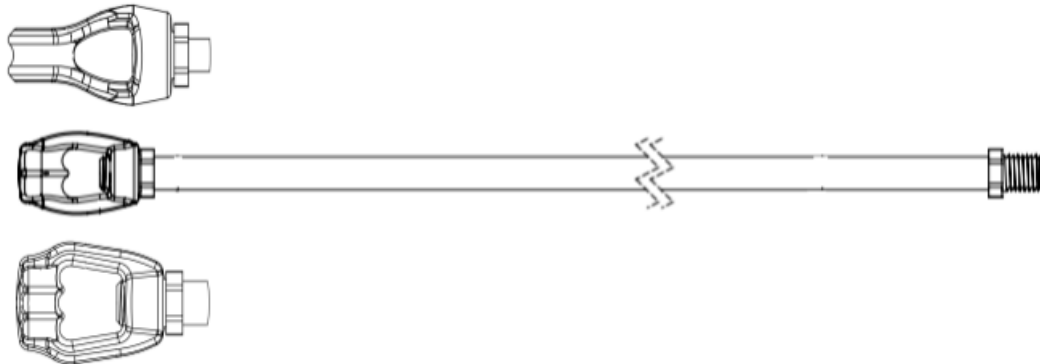
POWER INSTALLED SCREW ANCHOR RODS



CATALOG NUMBER	DESCRIPTION	"D"	"G"	"L"	"F"	"C"	"R"	"T"	ULTIMATE STRENGTH (LB)
U12336	5/8" X 3-1/2' PISA ROD	9/16"	39-3/32"	41-13/16"	1.00"	1.13"	3/32"	43/64-11 UNS-2A	16,000
U12332	5/8" X 7' PISA ROD	9/16"	80-13/16"	83-9/16"	1.00"	1.13"	3/32"	43/64-11 UNS-2A	16,000
U12634	3/4" X 3-1/2' PISA ROD	11/16"	39-3/32"	41-13/16"	1.23"	1.36"	7/32"	1-8 UNC-2A	23,000
U12632	3/4" X 7' PISA ROD	11/16"	80-13/16"	83-9/16"	1.23"	1.36"	7/32"	1-8 UNC-2A	23,000
U12338	1" X 3-1/2' PISA ROD	15/16"	39-3/32"	41-13/16"	1.23"	1.36"	7/32"	1-8 UNC-2A	36,000
U12334	1" X 7' PISA ROD	15/16"	80-13/16"	83-9/16"	1.23"	1.36"	7/32"	1-8 UNC-2A	36,000
U1021987	1" X 3-1/2' HIGH STRENGTH PISA ROD	15/16"	39-3/32"	41-13/16"	1.23"	1.36"	7/32"	1-8 UNC-2A	50,000
U1021986	1" X 7' HIGH STRENGTH PISA ROD	15/16"	80-13/16"	83-9/16"	1.23"	1.36"	7/32"	1-8 UNC-2A	50,000

MATERIAL: FORGED STEEL HOT DIP GALVANIZED

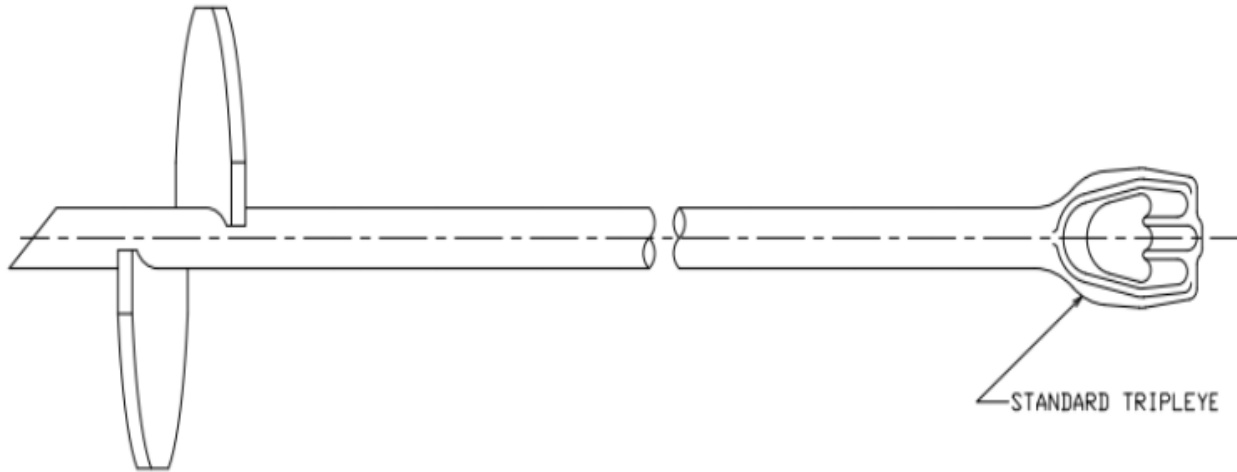
ROD WITH EYENUTS



CATALOG NUMBER	ROD SIZE E	EYENUT TYPE	WEIGHT LBS
G62D	5/8" X 7'	TWIN EYE	9.1
G62S	5/8" X 7'	THIMBLE EYE	8.2
G62T	5/8" X 7'	TRIPLE EYE	9.4
G75D	3/4" X 7'	TWIN EYE	11.1
G75S	3/4" X 7'	THIMBLE EYE	11.2
G75T	3/4" X 7'	TRIPLE EYE	11.5
G100D	1" X 7'	TWIN EYE	15.0
G100S	1" X 7'	THIMBLE EYE	15.0
G100T	1" X 7'	TRIPLE EYE	15.6



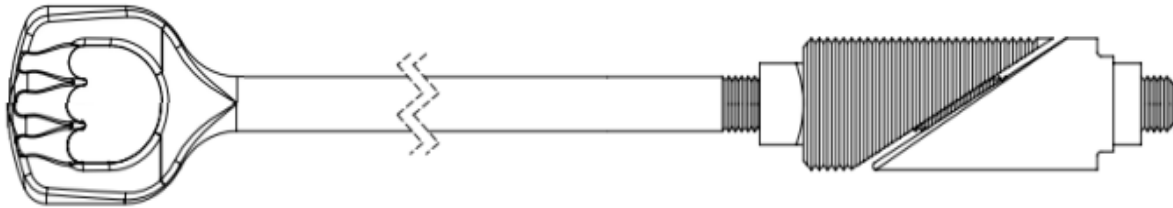
NO WRENCH ANCHORS



CAT. No. TRIPLEYE	HELIX SIZE	NOMINAL ROD DIA. AND LENGTH	INSTALLATION TORQQUE RATING (FT-LBS)	STD. PAK. PALLET
U6524W	4"	3/4" X 54"	400	1/100
U6526W	6"	3/4" X 66"	400	1/100
U6528W	8"	3/4" X 66"	1000	1/60
U6530W	10"	1 1/4" X 66"	2300	1/20
U6550W	10"	1 1/4" X 96"	2300	1/20
U6580W	15"	1 1/4" X 96"	2300	1/20

Material steel ,hot dip galvanized

EXPANDING ROCK ANCHORS



Cat.NO.	Rod Dia.	Rod Lth.	Anchor Size	Anchor Fully Exp'd	Hole Size	Approx. Wt.Each Lbs.(Kg)
U3436	3/4"	15"	1-3/4"	2-3/8"	2"	5.0(2.3)
U3437	3/4"	30"	1-3/4"	2-3/8"	2"	6.8(3.1)
U3438	3/4"	53"	1-3/4"	2-3/8"	2"	9.6(4.4)
UR360	3/4"	60"	1-3/4"	2-3/8"	2"	10.5(4.8)
UR372	3/4"	72"	1-3/4"	2-3/8"	2"	11.8(5.4)
UR384	3/4"	84"	1-3/4"	2-3/8"	2"	13.5(6.1)
UR396	3/4"	96"	1-3/4"	2-3/8"	2"	14.7(6.7)
UR130L	1"	30"	2-1/4"	3-1/8"	2-1/2"	11.7(5.3)
UR153L	1"	53"	2-1/4"	3-1/8"	2-1/2"	17.1(7.8)
UR172L	1"	72"	2-1/4"	3-1/8"	2-1/2"	21.0(9.5)
UR196L	1"	96"	2-1/4"	3-1/8"	2-1/2"	26.7(12.1)

Ultimate strength ratings apply to properly installed anchors only.

Failure to install within 5° of alignment with the guy load will significantly lower strength.

Recommended minimum installation depth is 12" in solid rock.

Rods and Wedges are hot dip galvanized.

3/4"Rod Minimum Ultimate Strength of 23,000 pounds.

1"Rod Minimum Ultimate Strength of 36,000 pounds.