



INDEX

SECTION 10 – FIBERGLASS PRODUCTS

SINGLE PHASE JUMPER BRACKETS STRAIGHT PIN -----	10-1
SINGLE PHASE JUMPER BRACKETS VERTICAL PIN-----	10-2
CROSSARM JUMPER PINS -----	10-3
POLE TOP PINS-----	10-4
POLE TOP PINS - LINE POST INSULATORS-----	10-5
SINGLE PHASE / POSITION APPARATUS BRACKETS -----	10-6
SINGLE PHASE / POSITION CUTOUT / ARRESTER BRACKETS 15° UPSWEEP -----	10-7
SINGLE PHASE / POSITION CUTOUT / ARRESTER BRACKETS HORIZONTAL-----	10-8
SINGLE PHASE 2 POSITION CUTOUT / ARRESTER BRACKETS 15° UPSWEEP -----	10-9
SINGLE PHASE 2 POSITION CUTOUT / ARRESTER BRACKETS HORIZONTAL-----	10-10
SINGLE PHASE 3 POSITION CUTOUT / ARRESTER BRACKETS 15° UPSWEEP	
7 HOLES -----	10-11
SINGLE PHASE 3 POSITION CUTOUT / AST BRACKETS 15° UPSWEEP	
4 HOLES -----	10-11A
SINGLE PHASE POST INSULATORS BRACKETS 15° UPSWEEP -----	10-12
SINGLE PHASE POST INSULATORS BRACKETS HORIZONTAL -----	10-13
SINGLE PHASE STANDOFF BRACKETS STRAIGHT PIN -----	10-14
SINGLE PHASE STANDOFF BRACKETS VERTICAL PIN-----	10-15
TWO PHASE SINGLE POSITION CUTOUT / ARRESTER BRACKETS-----	10-16
TWO PHASE SINGLE POSITION APPARATUS BRACKETS -----	10-17
TWO PHASE SINGLE POSITION CUTOUT / ARRESTER BRACKETS-----	10-18



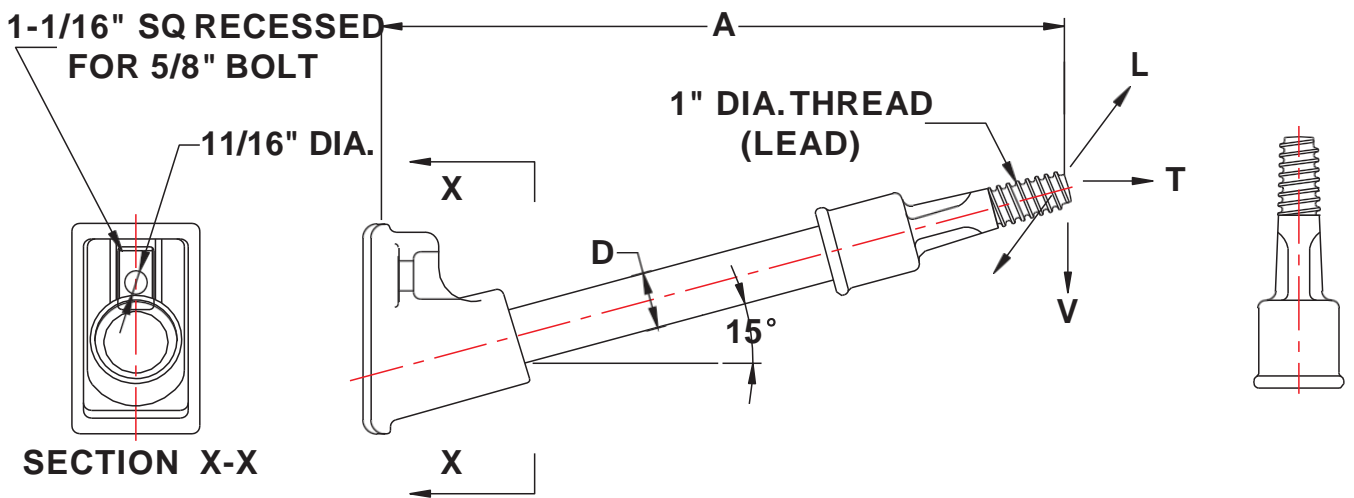
INDEX

SECTION 10 – FIBERGLASS PRODUCTS

TWO PHASE SINGLE POSITION CUTOUT / AST BRACKETS-----	10-19
TWO PHASE BRACKETS FOR LINE POST INSULATORS-----	10-20
TWO PHASE INSULATORS BRACKETS STRAIGHT PIN -----	10-21
TWO PHASE INSULATORS BRACKETS VERTICAL PIN-----	10-22
THREE PHASE SINGLE POSITION CUTOUT / ARRESTER BRACKETS -----	10-23
THREE PHASE 2 POSITION CUTOUT / ARRESTER BRACKETS -----	10-24
THREE PHASE 2 POSITION CUTOUT / ARRESTER BRACKETS -----	10-25
THREE PHASE 2 POSITION CUTOUT / ARRESTER BRACKETS -----	10-26
THREE PHASE 3 POSITION CUTOUT / ARRESTER BRACKETS -----	10-27
DOUBLE PHASE VERTICAL PIN ALLEY ARMS -----	10-28
DEADEND CROSSARMS-----	10-29



SINGLE PHASE JUMPER BRACKETS STRAIGHT PIN



CATALOG NUMBER	DIM IN INCHES		MINIMUM RATING (LBS)		
	A	D	VERT.-V	LONG.-L	TRANS.-T
SPHJ-1.5-12	12	1 1/2	1000	800	1500
SPHJ-1.5-14	14	1 1/2	900	700	1500
SPHJ-1.5-16	16	1 1/2	800	600	1500
SPHJ-1.5-18	18	1 1/2	700	500	1500

NOTES:

RODS: VEILED FIBERGLASS GRAY POLYESTER WITH ADDED ULTRAVIOLET PROTECTION

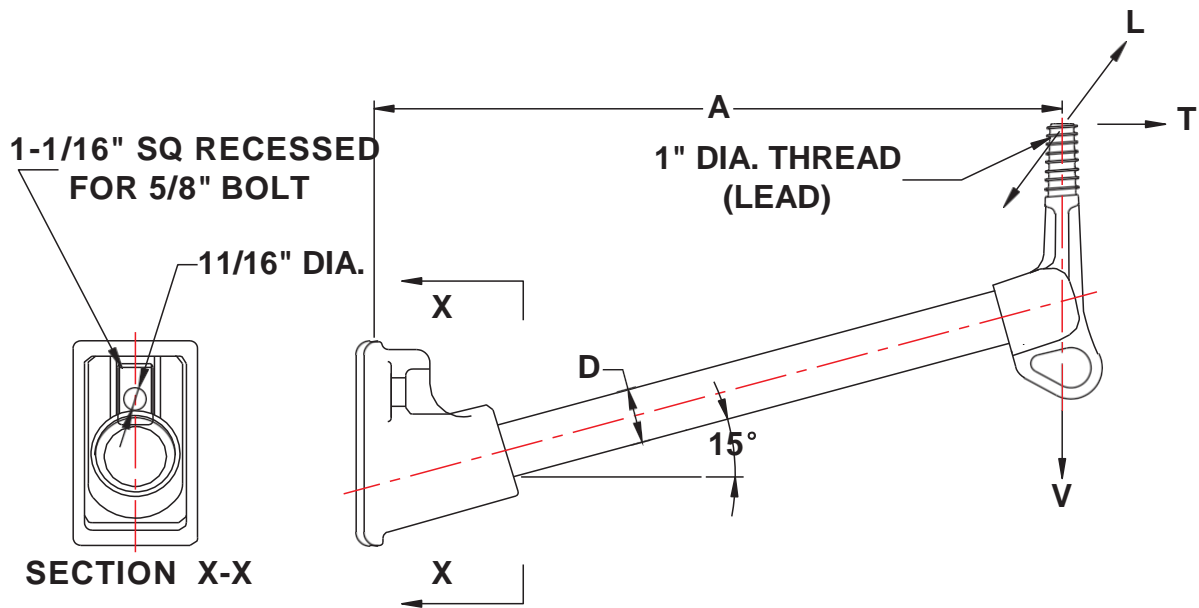
CASTING: DUCTILE IRON GRADE 654512 HOT DIP GALVANIZED PER ASTM A-153

LENGTHS: FOR OTHER LENGTHS(A-DIM) SUBSTITUTE LENGTH DESIRED FOR SUFFIX NO (EXAMPLE: FOR 19" LENGTH: SPHJ-1.5-19)

THREADS: FOR 1-3/8" THREADS, ADD SUFFIX "1.375" TO CATALOG NUMBER (EXAMPLE:SPHJ-1.5-19-1.375)



SINGLE PHASE JUMPER BRACKETS VERTICAL PIN



CATALOG NUMBER	DIM IN INCHES		MINIMUM RATING (LBS)		
	A	D	VERT.-V	LONG.-L	TRANS.-T
SPVJ-1.5-12	12	1 1/2	1000	800	1500
SPVJ-1.5-13	13	1 1/2	900	700	1500
SPVJ-1.5-15	15	1 1/2	800	600	1500
SPVJ-1.5-18	18	1 1/2	700	500	1500

NOTES:

RODS: VEILED FIBERGLASS GRAY POLYESTER WITH ADDED ULTRAVIOLET PROTECTION

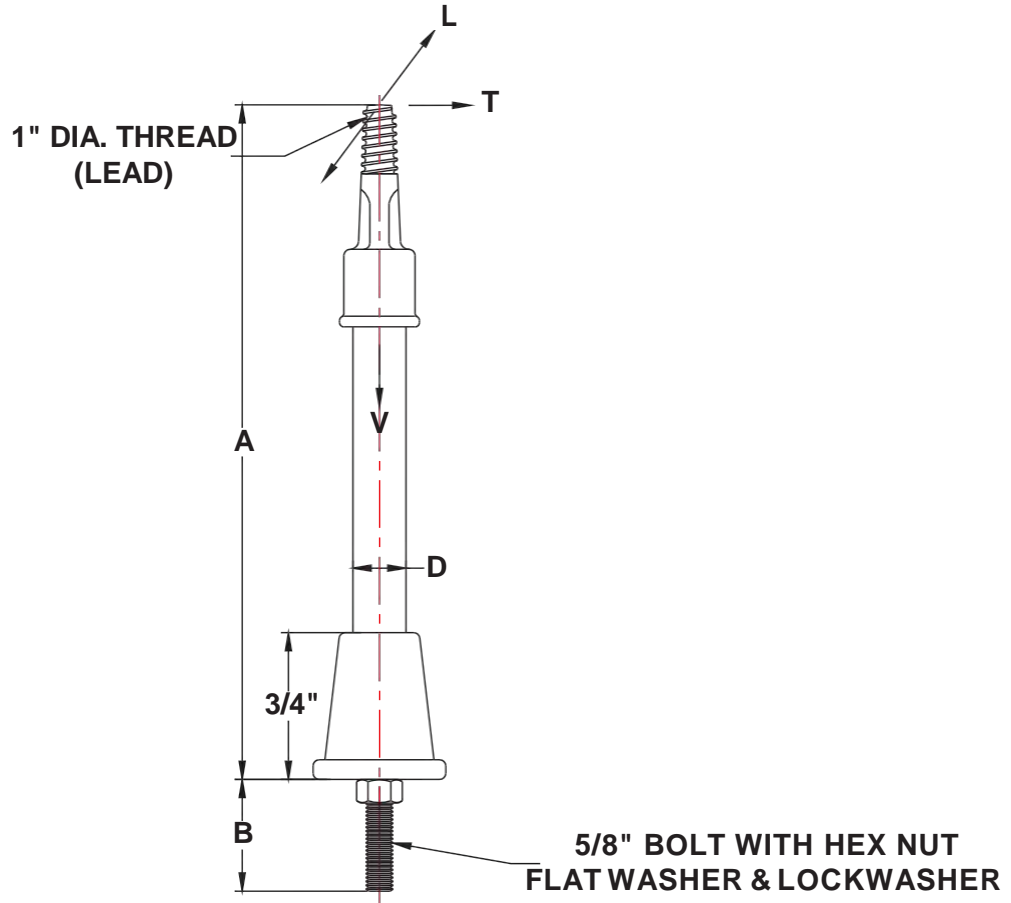
CASTING: DUCTILE IRON GRADE 654512 HOT DIP GALVANIZED PER ASTM A-153

LENGTHS: FOR OTHER LENGTHS(A-DIM) SUBSTITUTE LENGTH DESIRED FOR SUFFIX NO (EXAMPLE: FOR 19" LENGTH: SPVJ-1.5-19)

THREADS: FOR 1-3/8" THREADS, ADD SUFFIX "1.375" TO CATALOG NUMBER (EXAMPLE:SPVJ-1.5-19-1.375)



CROSSARM JUMPER PINS



CATALOG NUMBER	DIM IN INCHES			MINIMUM RATING (LBS)		
	A	B	D	VERT.-V	LONG-L	TRANS.-T
GJP-1.5-13-2	13	2	1 1/2	2500	1200	1200
GJP-1.5-13-7	13	7	1 1/2	2500	1200	1200
GJP-1.5-18-2	18	2	1 1/2	2500	1000	1000
GJP-1.5-18-7	18	7	1 1/2	2500	1000	1000

NOTES:

RODS: VEILED FIBERGLASS GRAY POLYESTER WITH ADDED ULTRAVIOLET PROTECTION

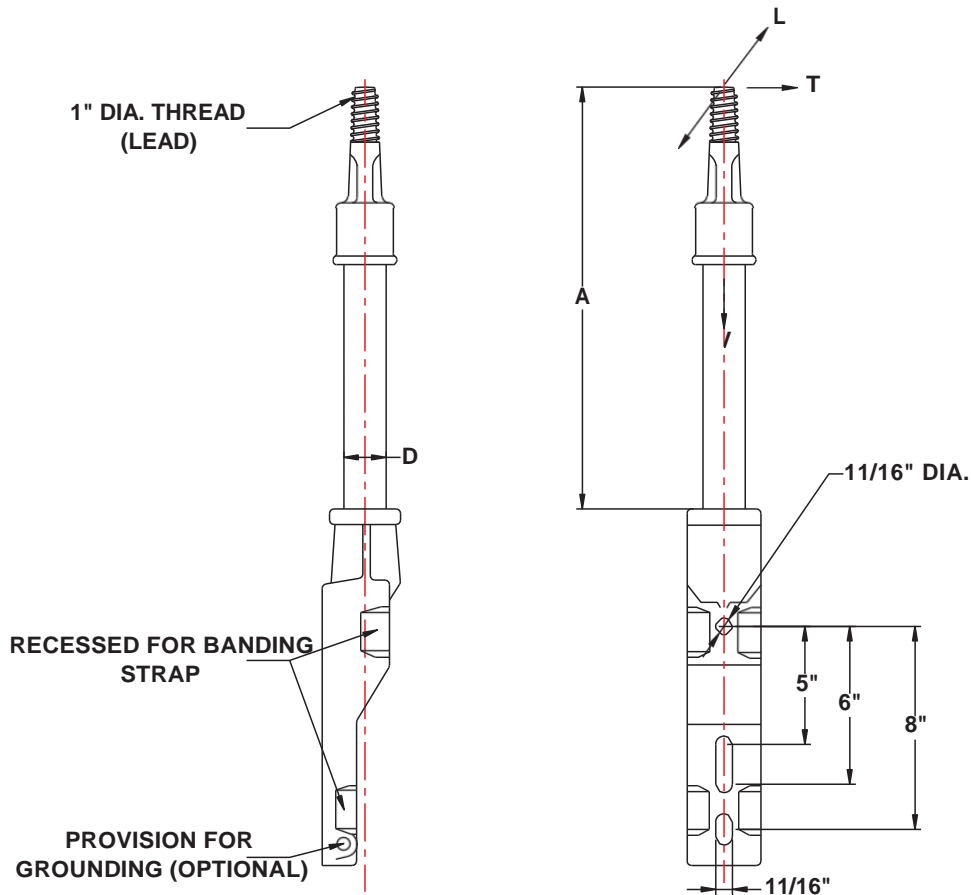
CASTING: DUCTILE IRON GRADE 654512 HOT DIP GALVANIZED PER ASTM A-153

LENGTHS: FOR OTHER LENGTHS(A-DIM) SUBSTITUTE LENGTH DESIRED FOR SUFFIX NO. (EXAMPLE: FOR 19" LENGTH: GJP-1.5-19-7)

THREADS: FOR 1-3/8" THREADS, ADD SUFFIX "1.375" TO CATALOG NUMBER (EXAMPLE:GJP-1.5-19 -7-1.375)



POLE TOP PINS



CATALOG NUMBER	DIM IN INCHES		MINIMUM RATING (LBS)		
	A	D	VERT.-V	LONG.-L	TRANS.-T
PTP -1.5 -13	13	1 1/2	2500	1600	1600
PTP -1.5 -15	15	1 1/2	2500	1500	1500
PTP -1.5 -18	18	1 1/2	2500	1400	1400
PTP - 2 -18	18	2	2500	2150	2150
PTP - 2 -24	24	2	2500	1750	1750
PTP - 2 -30	30	2	2500	1300	1300
PTP - 2 -36	36	2	2500	1100	1100

NOTES:

RODS: VEILED FIBERGLASS GRAY POLYESTER WITH ADDED ULTRAVIOLET PROTECTION

CASTING: DUCTILE IRON GRADE 654512 HOT DIP GALVANIZED PER ASTM A-153

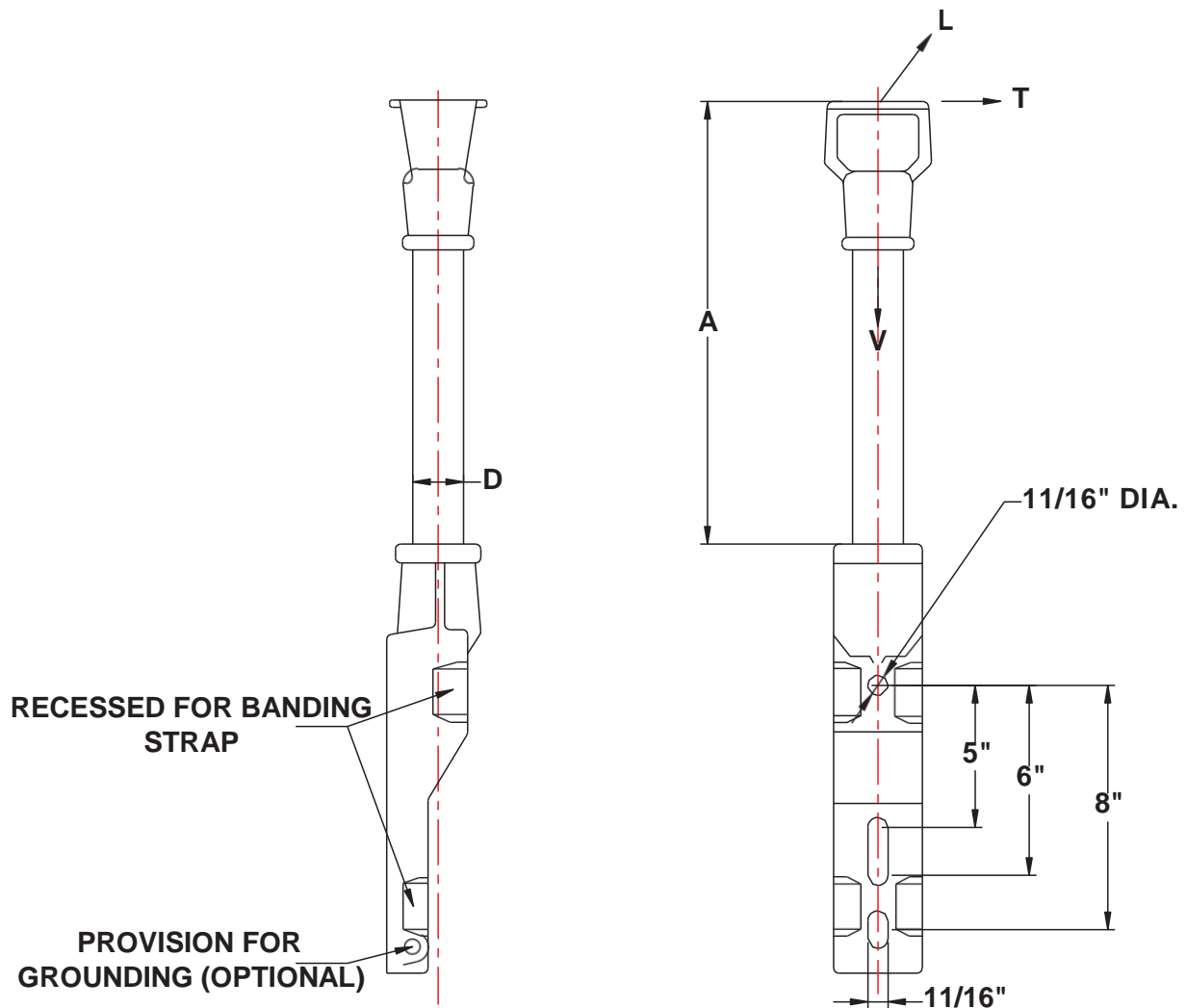
LENGTHS: FOR OTHER LENGTHS(A-DIM) SUBSTITUTE LENGTH DESIRED FOR SUFFIX NO. (EXAMPLE: FOR 25" LENGTH: PTP-2-25)

THREADS: FOR 1-3/8" THREADS,ADD SUFFIX "1.375" TO CATALOG NUMBER (EXAMPLE:PTP-2-25- 1.375)

GROUNDING: TO SPECIFY 1/2-13 TAPPED HOLE FOR GROUNDING, ADD SUFFIX "4-13" TO CATALOG NUMBER (EXAMPLE: PTP-2-25-4-13)



POLE TOP PINS FOR LINE POST INSULATORS



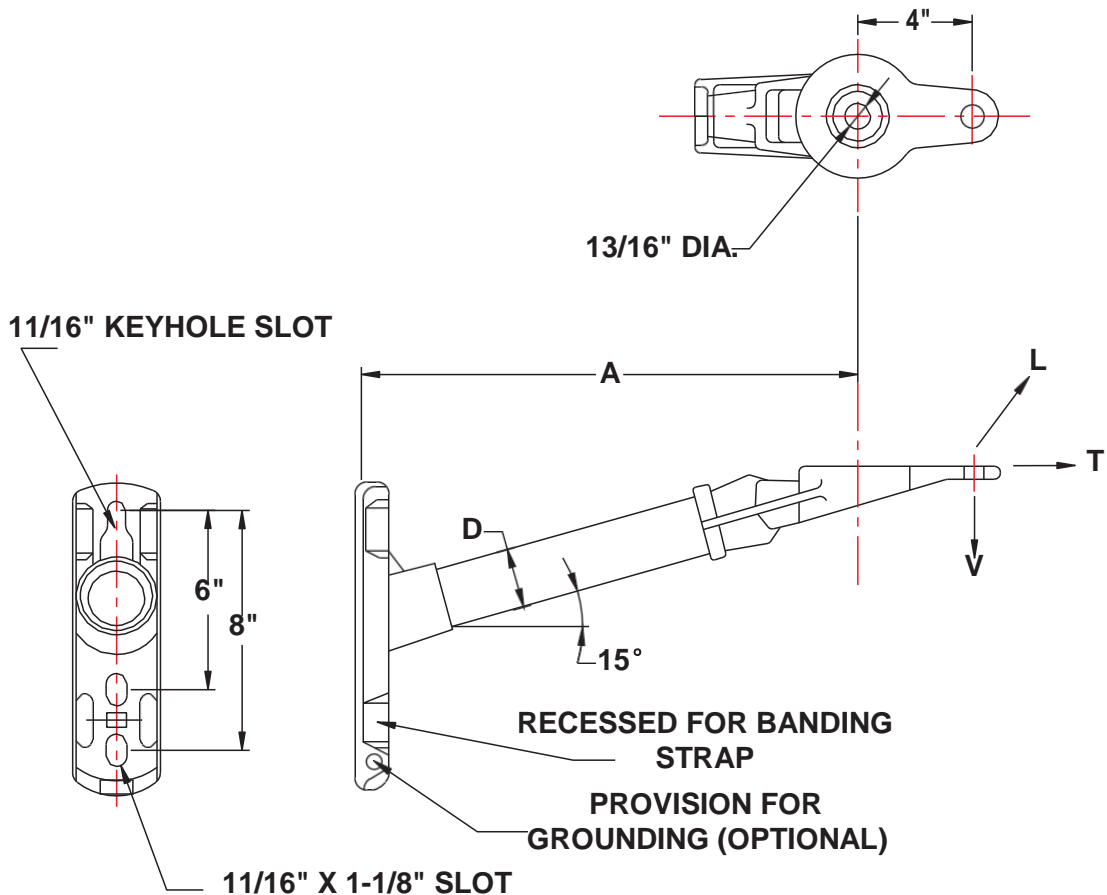
CATALOG NUMBER	DIM IN INCHES		MINIMUM RATING (LBS)		
	A	D	VERT.-V	LONG.-L	TRANS.-T
GPTB-2-19	19	2	2500	2100	2100
GPTB-2-24	24	2	2500	1750	1750
GPTB-2-27	27	2	2500	1400	1400

NOTES:

- RODS: VEILED FIBERGLASS GRAY POLYESTER WITH ADDED ULTRAVIOLET PROTECTION
- CASTING: DUCTILE IRON GRADE 654512 HOT DIP GALVANIZED PER ASTM A-153
- LENGTHS: FOR OTHER LENGTHS(A-DIM) SUBSTITUTE LENGTH DESIRED FOR SUFFIX NO. (EXAMPLE: FOR 30" LENGTH: GPTB-2-30)
- GROUNDING: TO SPECIFY 1/2-13 TAPPED HOLE FOR GROUNDING, ADD SUFFIX "4-13" TO CATALOG NUMBER (EXAMPLE: GPTB-2-30-4-13)



SINGLE PHASE SINGLE POSITION APPARATUS BRACKETS



CATALOG NUMBER	DIM IN INCHES		MINIMUM RATING (LBS)		
	A	D	VERT.-V	LONG.-L	TRANS.-T
SPAB-1.5 -18	18	1.5	1200	900	10000
SPAB-1.5 -21	21	1.5	1050	800	10000
SPAB-1.5 -24	24	1.5	900	700	10000

NOTES:

RODS: VEILED FIBERGLASS GRAY POLYESTER WITH ADDED ULTRAVIOLET PROTECTION

CASTING: DUCTILE IRON GRADE 654512 HOT DIP GALVANIZED PER ASTM A-153

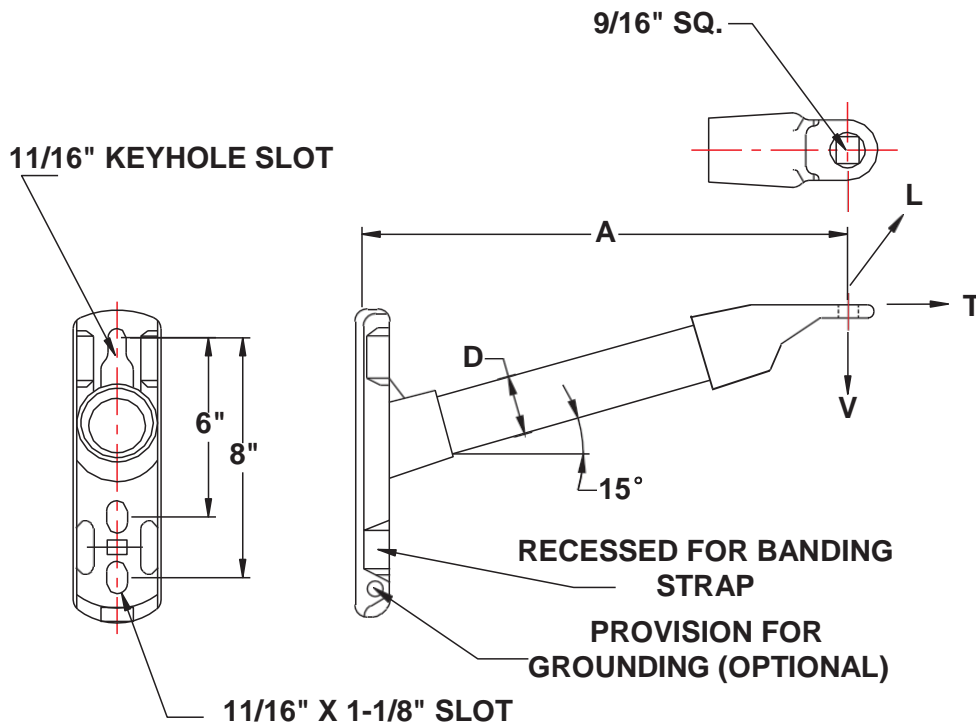
LENGTHS: FOR OTHER LENGTHS(A-DIM) SUBSTITUTE LENGTH DESIRED FOR SUFFIX NO. (EXAMPLE: FOR 20" LENGTH: SPAB-1.5-20)

GROUNDING: TO SPECIFY 1/2-13 TAPPED HOLE FOR GROUNDING, ADD SUFFIX "4-13" TO CATALOG NUMBER (EXAMPLE: SPAB-1.5-20-4-13)

TO SPECIFY CAPTIVE CARRIAGE BOLTS, ADD SUFFIX "C" TO CATALOG NUMBER (EXAMPLE: SPAB-1.5-20-C)



SINGLE PHASE SINGLE POSITION CUTOUT AND ARRESTER BRACKETS 15° UPSWEEP



CATALOG NUMBER	DIM IN INCHES		MIN. RATING (LBS)		
	A	D	VERT.-V	LONG.-L	TRANS.-T
SPCA1-1.5 -12	12	1 1/2	1800	1400	10000
SPCA1-1.5 -15	15	1 1/2	1500	1200	10000
SPCA1-1.5 -18	18	1 1/2	1200	900	10000
SPCA1-1.5 -24	24	1 1/2	900	700	10000

NOTES:

RODS: VEILED FIBERGLASS GRAY POLYESTER WITH ADDED ULTRAVIOLET PROTECTION

CASTING: DUCTILE IRON GRADE 654512 HOT DIP GALVANIZED PER ASTM A-153

LENGTHS: FOR OTHER LENGTHS(A-DIM) SUBSTITUTE LENGTH DESIRED FOR SUFFIX NO.

(EXAMPLE: FOR 21" LENGTH: SPCA1-1.5-21)

GROUNDING: TO SPECIFY 1/2-13 TAPPED HOLE FOR GROUNDING, ADD SUFFIX "4-13" TO

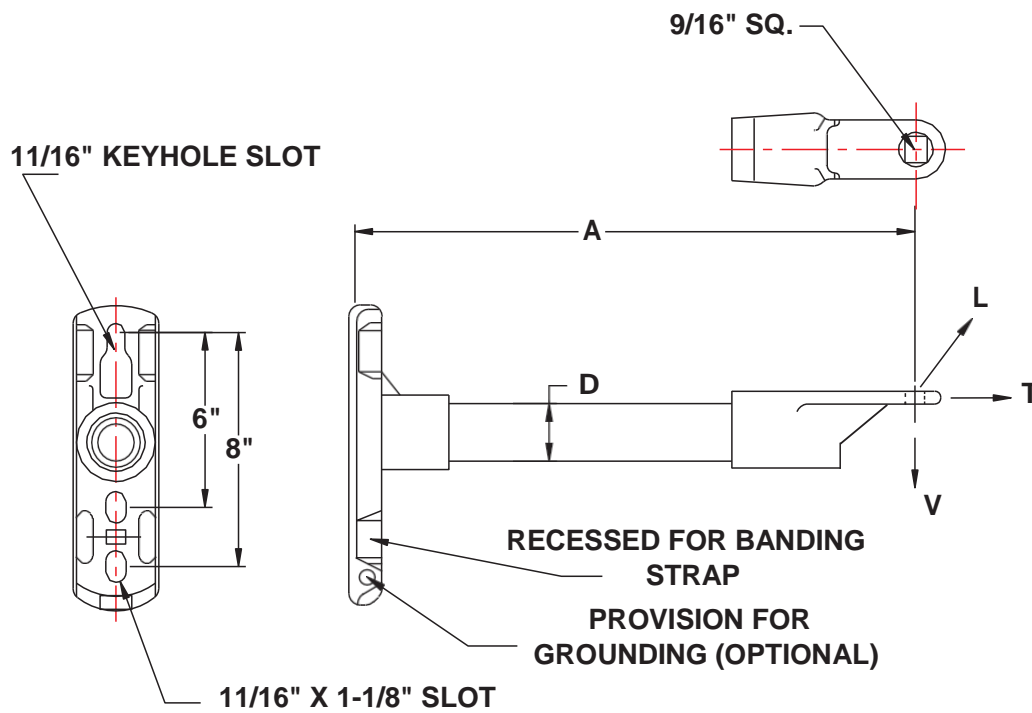
CATALOG NUMBER (EXAMPLE: SPCA1-1.5-21-4-13)

TO SPECIFY CAPTIVE CARRIAGE BOLTS, ADD SUFFIX "C" TO CATALOG NUMBER

(EXAMPLE: SPCA1-1.5-21-C)



SINGLE PHASE SINGLE POSITION CUTOUT AND ARRESTER BRACKETS HORIZONTAL



CATALOG NUMBER	DIM IN INCHES		MIN. RATING (LBS)		
	A	D	VERT.-V	LONG.-L	TRANS.-T
SPCA-1.5 -12	12	1 1/2	1800	1500	5000
SPCA-1.5 -15	15	1 1/2	1500	1400	5000
SPCA-1.5 -18	18	1 1/2	1200	1200	5000
SPCA-1.5 -24	24	1 1/2	900	900	5000

NOTES:

RODS: VEILED FIBERGLASS GRAY POLYESTER WITH ADDED ULTRAVIOLET PROTECTION

CASTING: DUCTILE IRON GRADE 654512 HOT DIP GALVANIZED PER ASTM A-153

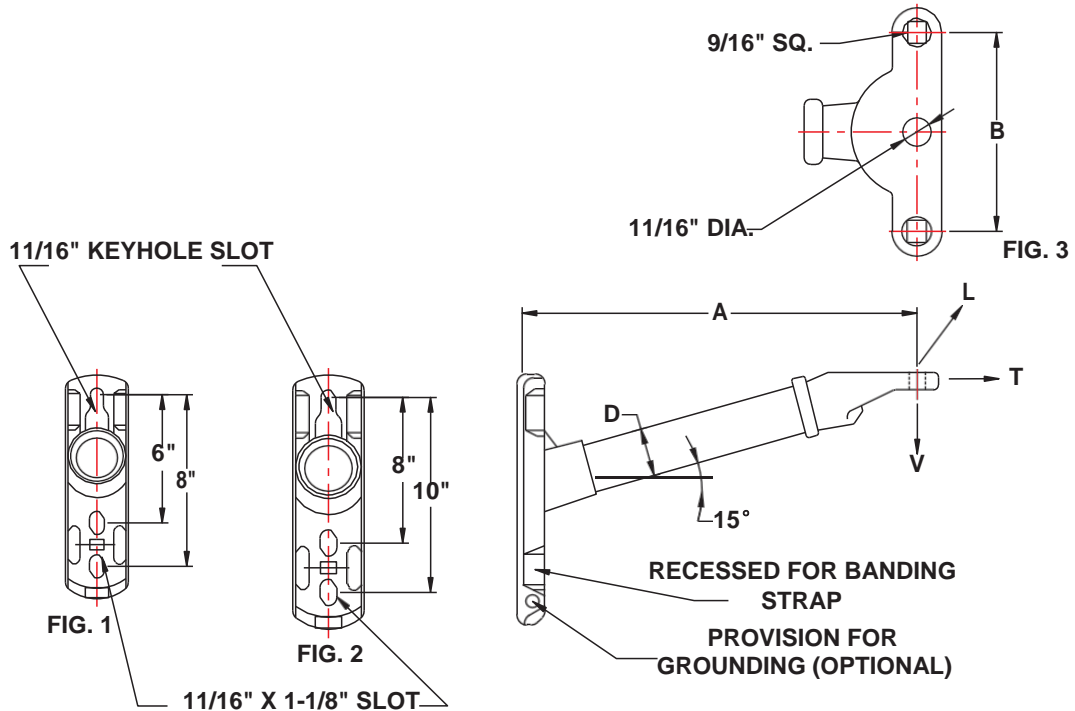
LENGTHS: FOR OTHER LENGTHS(A-DIM) SUBSTITUTE LENGTH DESIRED FOR SUFFIX NO (EXAMPLE: FOR 21" LENGTH: SPCA-1.5-21)

GROUNDING: TO SPECIFY 1/2-13 TAPPED HOLE FOR GROUNDING, ADD SUFFIX "4-13" TO CATALOG NUMBER (EXAMPLE: SPCA-1.5-21-4-13)

TO SPECIFY CAPTIVE CARRIAGE BOLTS, ADD SUFFIX "C" TO CATALOG NUMBER (EXAMPLE: SPCA-1.5-21-C)



SINGLE PHASE 2 POSITION CUTOUT AND ARRESTER BRACKETS 15° UPSWEEP



CATALOG NUMBER	BASE	END FITTING	DIM IN INCHES			MIN. RATING (LBS)
	FIG.	FIG.	A	D	B	VERT.-V
SPCA2-1.5-12	1	3	12	1 1/2	12	1800
SPCA2-1.5-14	1	3	14	1 1/2	12	1600
SPCA2-1.5-15	1	3	15	1 1/2	12	1500
SPCA2-1.5-18	1	3	18	1 1/2	12	1200
SPCA2-1.5-24	1	3	24	1 1/2	12	900
SPCA2 -2-16	2	3	16	2	12	2600
SPCA2 -2-18	2	3	18	2	12	2400
SPCA2 -2-20	2	3	20	2	12	2500
SPCA2 -2-24	2	3	24	2	12	2200

NOTES:

RODS: VEILED FIBERGLASS GRAY POLYESTER WITH ADDED ULTRAVIOLET PROTECTION

CASTING: DUCTILE IRON GRADE 654512 HOT DIP GALVANIZED PER ASTM A-153

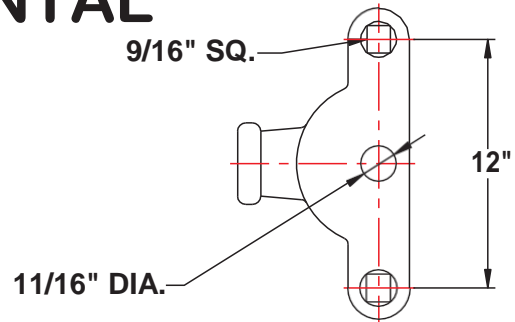
LENGTHS: FOR OTHER LENGTHS(A-DIM) SUBSTITUTE LENGTH DESIRED FOR SUFFIX NO (EXAMPLE: FOR 19" LENGTH: SPCA2-2-19)

GROUNDING: TO SPECIFY 1/2-13 TAPPED HOLE FOR GROUNDING, ADD SUFFIX "4-13" TO CATALOG NUMBER (EXAMPLE: SPCA2-2-19-4-13)

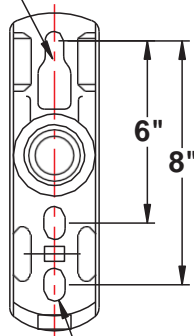
TO SPECIFY CAPTIVE CARRIAGE BOLTS, ADD SUFFIX "C" TO CATALOG NUMBER (EXAMPLE: SPCA2-2-19-C)



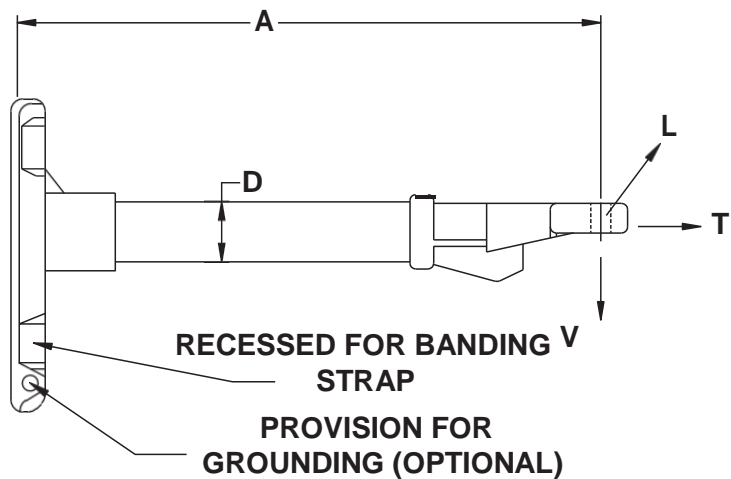
SINGLE PHASE 2 POSITION BRACKETS HORIZONTAL



11/16" KEYHOLE SLOT



11/16" X 1-1/8" SLOT



CATALOG NUMBER	DIM IN INCHES		MIN. RATING (LBS)
	A	D	VERT.-V
SPOCA2-1.5 -12	12	1 1/2	1800
SPOCA2-1.5 -14	14	1 1/2	1600
SPOCA2-1.5 -15	15	1 1/2	1500
SPOCA2-1.5 -18	18	1 1/2	1200
SPOCA2-1.5 -24	24	1 1/2	900

NOTES:

RODS: VEILED FIBERGLASS GRAY POLYESTER WITH ADDED ULTRAVIOLET PROTECTION

CASTING: DUCTILE IRON GRADE 654512 HOT DIP GALVANIZED PER ASTM A-153

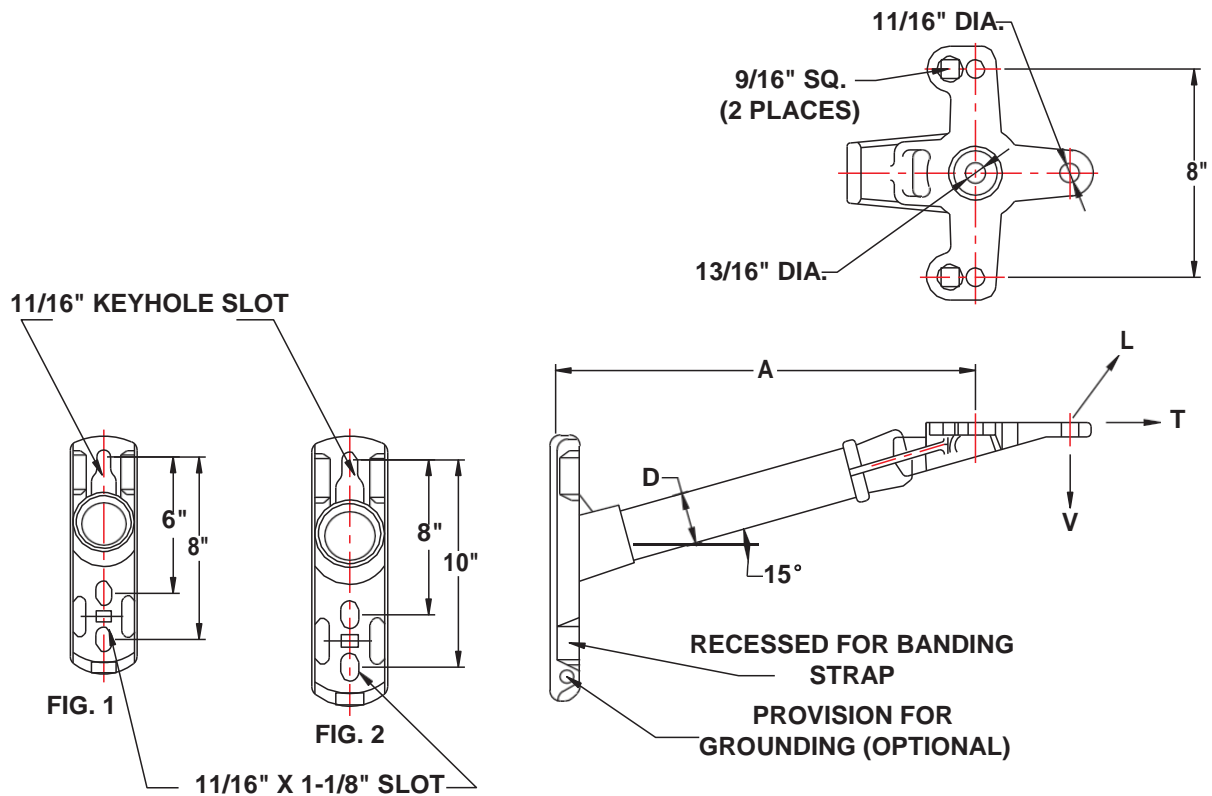
LENGTHS: FOR OTHER LENGTHS(A-DIM) SUBSTITUTE LENGTH DESIRED FOR SUFFIX NO (EXAMPLE: FOR 19" LENGTH: SP0CA2-2-19)

GROUNDING: TO SPECIFY 1/2-13 TAPPED HOLE FOR GROUNDING, ADD SUFFIX "4-13" TO CATALOG NUMBER (EXAMPLE: SP0CA2-2-19-4-13)

TO SPECIFY CAPTIVE CARRIAGE BOLTS, ADD SUFFIX "C" TO CATALOG NUMBER (EXAMPLE: SP0CA2-2-19-C)



SINGLE PHASE 3 POSITION CUTOUT AND ARRESTER BRACKETS 15° UPSWEEP 7 HOLES



CATALOG NUMBER	BASE	DIM IN INCHES		MIN. RATING (LBS)		
	FIG.	A	D	VERT.-V	LONG.-L	TRANS.-T
SPCC-1.5-12	1	12	1 1/2	1800	1400	10000
SPCC-1.5-18	1	18	1 1/2	1200	900	10000
SPCC-1.5-24	1	24	1 1/2	900	700	10000
SPCC-2-12	2	12	2	3000	1800	10000
SPCC-2-18	2	18	2	2250	1500	10000
SPCC-2-24	2	24	2	1750	1100	10000

NOTES:

RODS: VEILED FIBERGLASS GRAY POLYESTER WITH ADDED ULTRAVIOLET PROTECTION

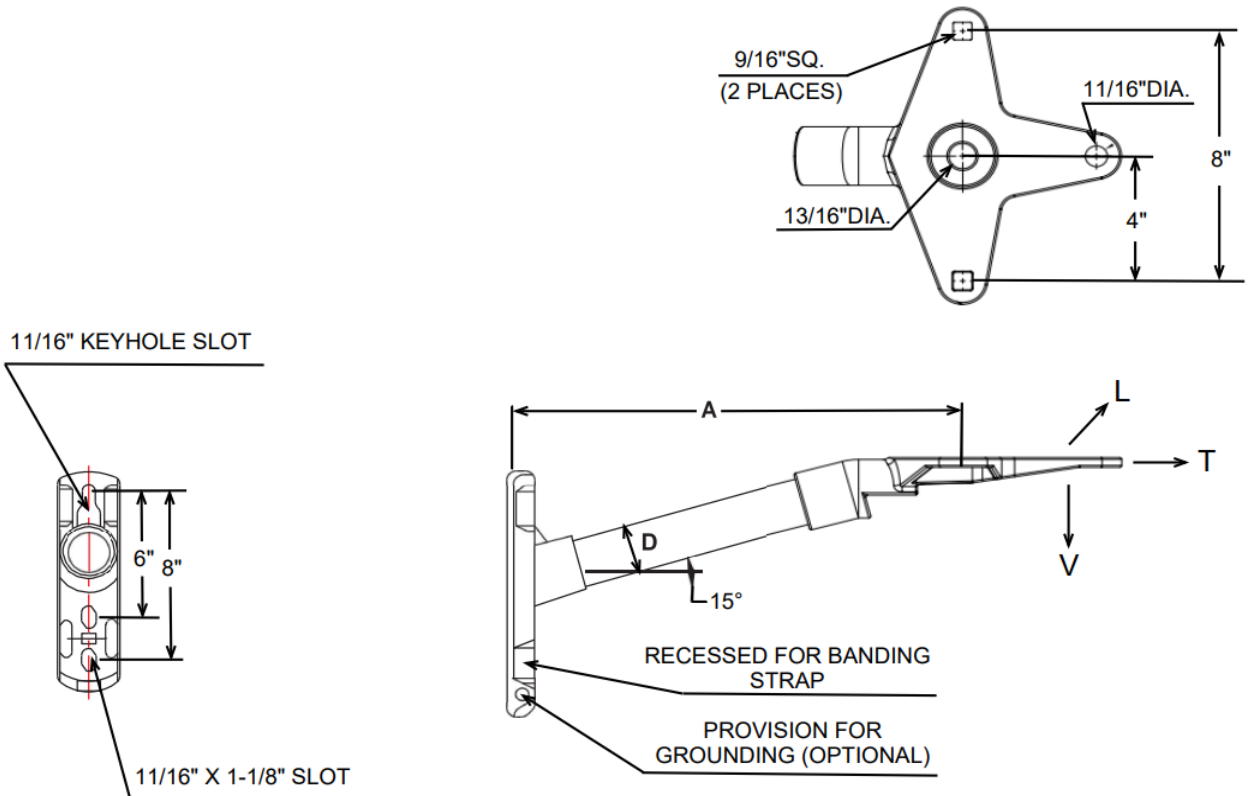
CASTING: DUCTILE IRON GRADE 654512 HOT DIP GALVANIZED PER ASTM A-153

LENGTHS: FOR OTHER LENGTHS(A-DIM) SUBSTITUTE LENGTH DESIRED FOR SUFFIX NO (EXAMPLE: FOR 15" LENGTH: SPCC-2-15)

GROUNDING: TO SPECIFY 1/2-13 TAPPED HOLE FOR GROUNDING, ADD SUFFIX "4-13" TO CATALOG NUMBER (EXAMPLE: SPCC-2-15-4-13)

TO SPECIFY CAPTIVE CARRIAGE BOLTS, ADD SUFFIX "C" TO CATALOG NUMBER (EXAMPLE: SPCC-2-15-C)

SINGLE PHASE 3 POSITION CUTOUT AND ARREST BRACKETS 15° UPSWEEP 4 HOLES



CATALOG NUMBER	DIM IN INCHES		MIN. RATING (LBS)		
	A	D	VERT.-V	LONG.-L	TRANS.-T
SPCC4-1.5-12	12	1 1/2	1800	1400	10000
SPCC4-1.5-15	15	1 1/2	1500	1150	10000
SPCC4-1.5-18	18	1 1/2	1200	900	10000
SPCC4-1.5-24	24	1 1/2	900	700	10000

NOTES:

RODS: VEILED FIBERGLASS GRAY POLYESTER WITH ADDED ULTRAVIOLET PROTECTION

CASTING: DUCTILE IRON GRADE 654512 HOT DIP GALVANIZED PER ASTM A-153

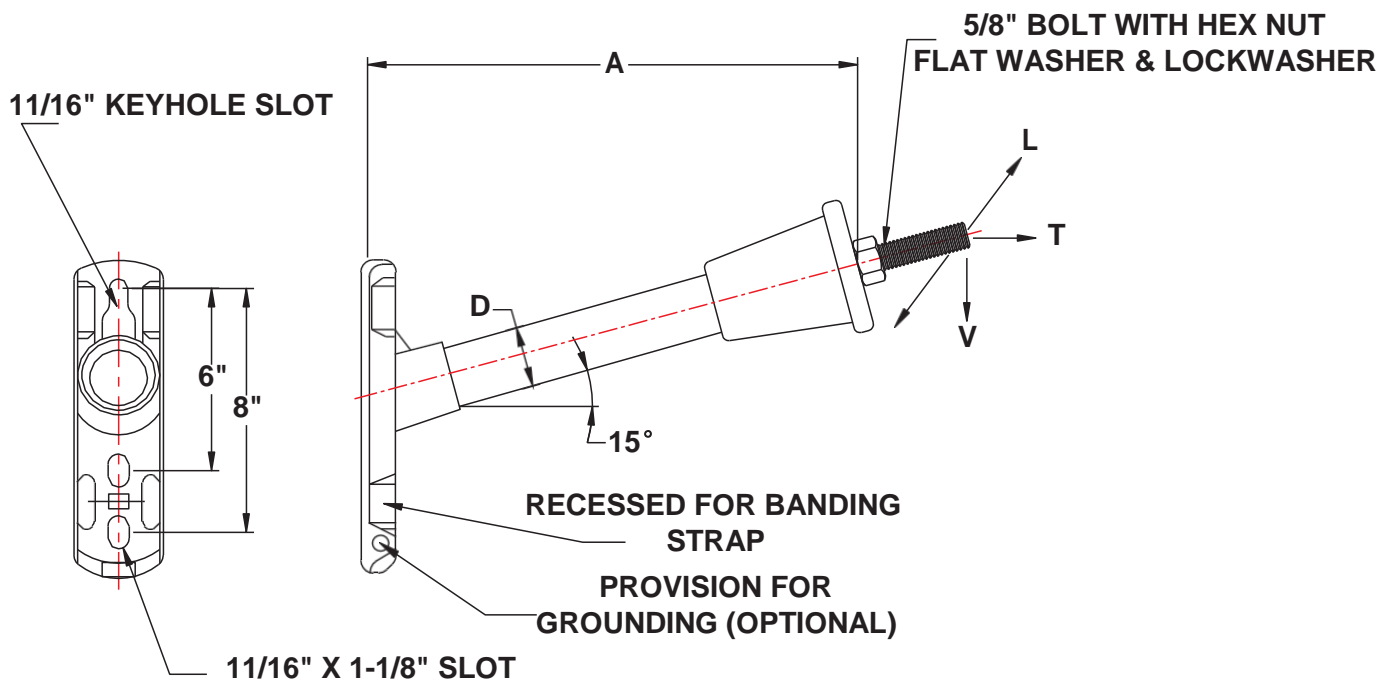
LENGTHS: FOR OTHER LENGTHS(A-DIM) SUBSTITUTE LENGTH DESIRED FOR SUFFIX NO (EXAMPLE: FOR 15 " LENGTH: SPCC4-1.5-15)

GROUNDING: TO SPECIFY 1/2-13 TAPPED HOLE FOR GROUNDING, ADD SUFFIX " 4-13" TO CATALOG NUMBER (EXAMPLE: SPCC4-1.5-15-4-13)

TO SPECIFY CAPTIVE CARRIAGE BOLTS, ADD SUFFIX " C " TO CATALOG NUMBER (EXAMPLE: SPCC4-1.5-12-C)



SINGLE PHASE POST INSULATOR BRACKETS 15° UPSWEEP



CATALOG NUMBER	DIM IN INCHES		MINIMUM RATING (LBS)		
	A	D	VERT.-V	LONG-L	TRAN.-T
SPPB-1.5-16	16	1 1/2	1400	1400	1500
SPPB-1.5-18	18	1 1/2	1200	1200	1500
SPPB-1.5-24	24	1 1/2	950	950	1500
SPPB-1.5-30	30	1 1/2	750	750	1500
SPPB-1.5-36	36	1 1/2	500	500	1500

NOTES:

RODS: VEILED FIBERGLASS GRAY POLYESTER WITH ADDED ULTRAVIOLET PROTECTION

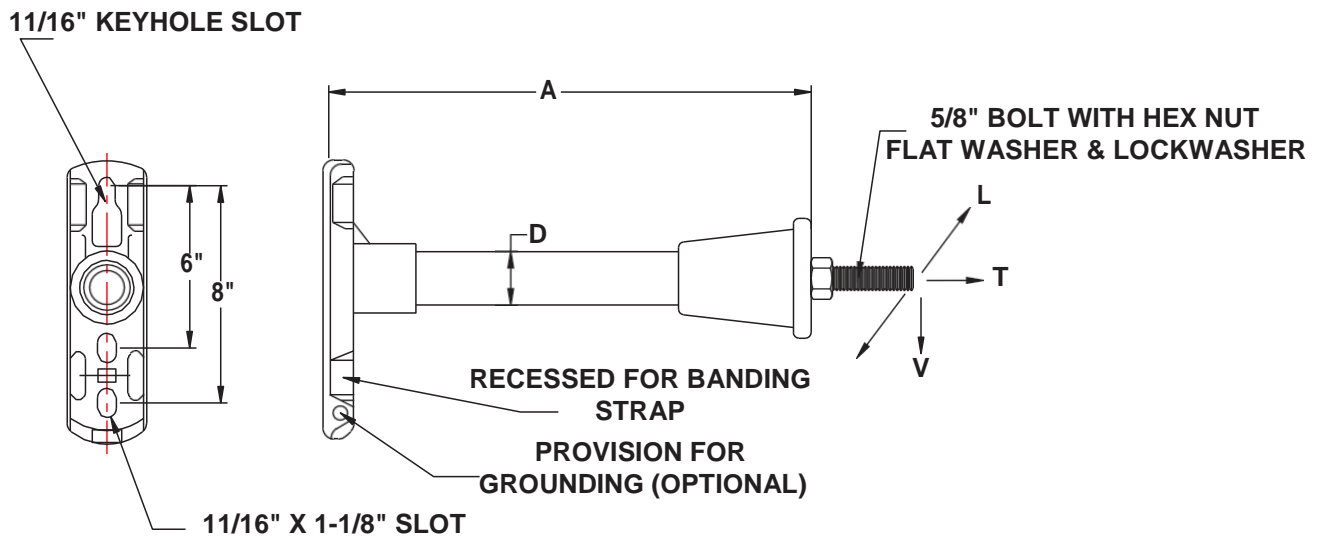
CASTING: DUCTILE IRON GRADE 654512 HOT DIP GALVANIZED PER ASTM A-153

LENGTHS: FOR OTHER LENGTHS (A-DIM) SUBSTITUTE LENGTH DESIRED FOR SUFFIX NO (EXAMPLE: FOR 20" LENGTH: SPPB-1.5-20)

GROUNDING: TO SPECIFY 1/2-13 TAPPED HOLE FOR GROUNDING, ADD SUFFIX "4-13" TO CATALOG NUMBER (EXAMPLE: SPPB-1.5-20-4-13)



SINGLE PHASE POST INSULATOR BRACKETS HORIZONTAL



CATALOG NUMBER	DIM IN INCHES		MINIMUM RATING (LBS)		
	A	D	VERT.-V	LONG-L	TRAN.-T
SPPB-0-1.5-16	16	1 1/2	1400	1300	1500
SPPB-0-1.5-18	18	1 1/2	1200	1150	1500
SPPB-0-1.5-24	24	1 1/2	950	850	1500
SPPB-0-1.5-30	30	1 1/2	750	700	1500
SPPB-0-1.5-36	36	1 1/2	500	500	1500

NOTES:

RODS: VEILED FIBERGLASS GRAY POLYESTER WITH ADDED ULTRAVIOLET PROTECTION

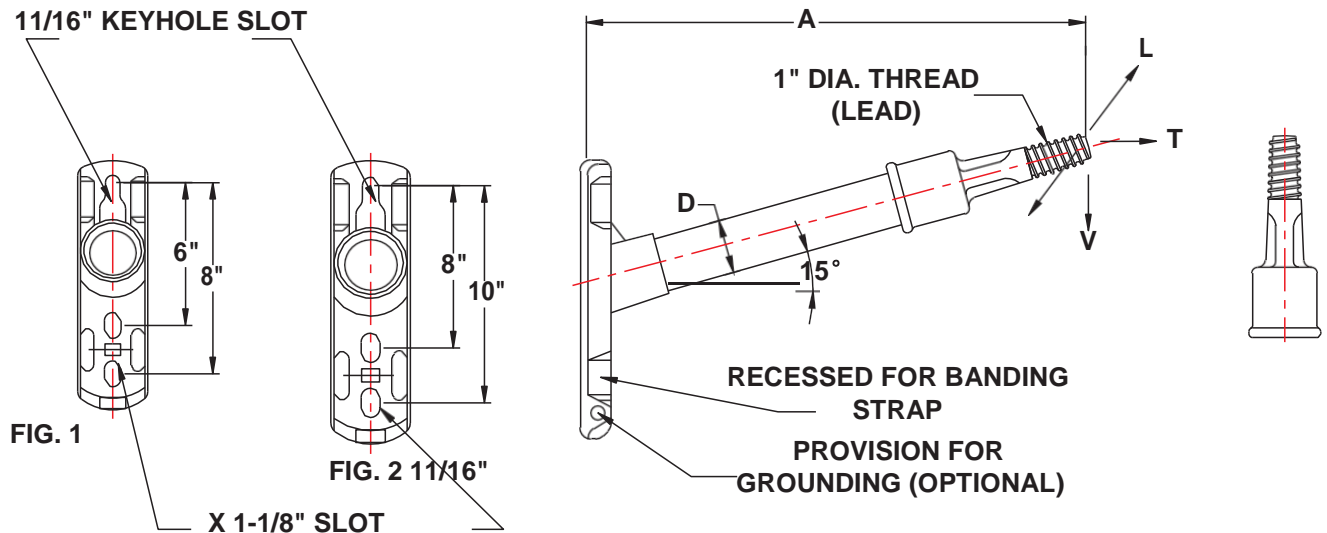
CASTING: DUCTILE IRON GRADE 654512 HOT DIP GALVANIZED PER ASTM A-153

LENGTHS: FOR OTHER LENGTHS (A-DIM) SUBSTITUTE LENGTH DESIRED FOR SUFFIX NO (EXAMPLE: FOR 20" LENGTH: SPPB-0-1.5-20)

GROUNDING: TO SPECIFY 1/2-13 TAPPED HOLE FOR GROUNDING, ADD SUFFIX "4-13" TO CATALOG NUMBER (EXAMPLE: SPPB-0-1.5-20-4-13)



SINGLE PHASE STANDOFF BRACKETS STRAIGHT PIN



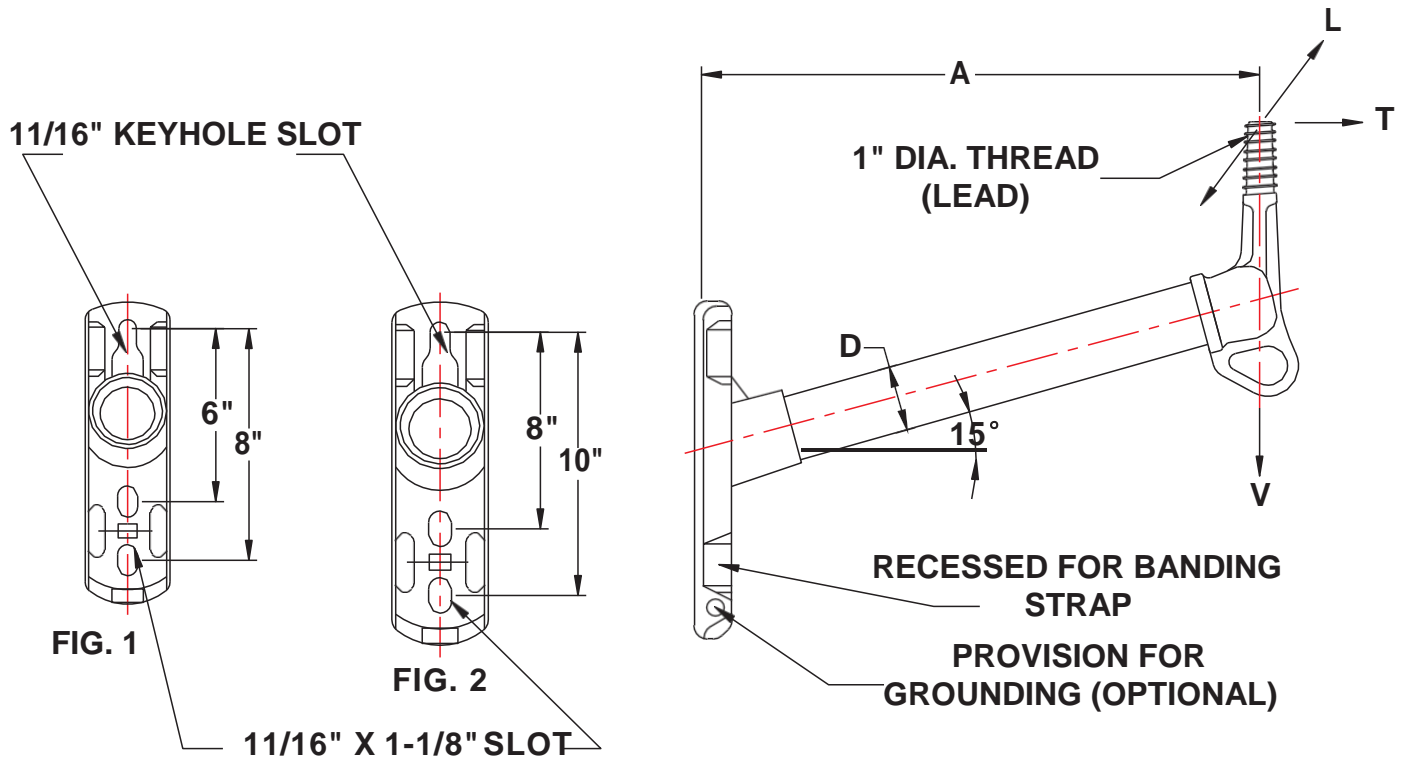
CATALOG NUMBER	FIG	DIM IN INCHES		MINIMUM RATING (LBS)		
		A	D	VERT.-V	LONG-L	TRANS.-T
SPHP-1.5-12	1	12	11/2	1800	1700	1500
SPHP-1.5-14	1	14	11/2	1600	1600	1500
SPHP-1.5-16	1	16	11/2	1400	1400	1500
SPHP-1.5-18	1	18	11/2	1200	1200	1500
SPHP-1.5-20	1	20	11/2	1100	1100	1500
SPHP-1.5-24	1	24	11/2	1050	900	1500
SPHP-2-18	2	18	2	2300	1400	2500
SPHP-2-21	2	21	2	2100	1350	2500
SPHP-2-24	2	24	2	1750	1200	2500
SPHP-2-27	2	27	2	1550	1050	2500
SPHP-2-30	2	30	2	1400	950	2500

NOTES:

- RODS: VEILED FIBERGLASS GRAY POLYESTER WITH ADDED ULTRAVIOLET PROTECTION
- CASTING: DUCTILE IRON GRADE 654512 HOT DIP GALVANIZED PER ASTM A-153
- LENGTHS: FOR OTHER LENGTHS (A-DIM) SUBSTITUTE LENGTH DESIRED FOR SUFFIX NO (EXAMPLE: FOR 19" LENGTH: SPPB-0-1.5-20)
- GROUNDING: TO SPECIFY 1/2-13 TAPPED HOLE FOR GROUNDING, ADD SUFFIX "4-13" TO CATALOG NUMBER (EXAMPLE: SPPB-0-1.5-20-4-13)



SINGLE PHASE STANDOFF BRACKETS VERTICAL PIN



CATALOG NUMBER	FIG	DIM IN INCHES		MINIMUM RATING (LBS)		
		A	D	VERT.-V	LONG-L	TRANS.-T
SPVP-1.5-12	1	12	1.5	2200	1300	2000
SPVP-1.5-14	1	14	1.5	2000	1200	2000
SPVP-1.5-16	1	16	1.5	1600	1000	2000
SPVP-1.5-18	1	18	1.5	1500	900	2000
SPVP-1.5-20	1	20	1.5	1250	800	2000
SPVP-1.5-24	1	24	1.5	1000	700	2000
SPVP-1.5-26	1	26	1.5	750	600	2000
SPVP-2-12	2	112	2	2550	2000	2500
SPVP-2-15	2	15	2	2400	1950	2500
SPVP-2-18	2	18	2	2250	1900	2500
SPVP-2-20	2	20	2	2100	1850	2500
SPVP-2-24	2	24	2	2100	1850	2500
SPVP-2-26	2	26	2	1950	1800	2500
SPVP-2-30	2	30	2	1800	1750	2500

NOTES:

RODS: VEILED FIBERGLASS GRAY POLYESTER WITH ADDED ULTRAVIOLET PROTECTION

CASTINGS: DUCTILE IRON GRADE 654512 HOT DIP GALVANIZED PER ASTM A-153

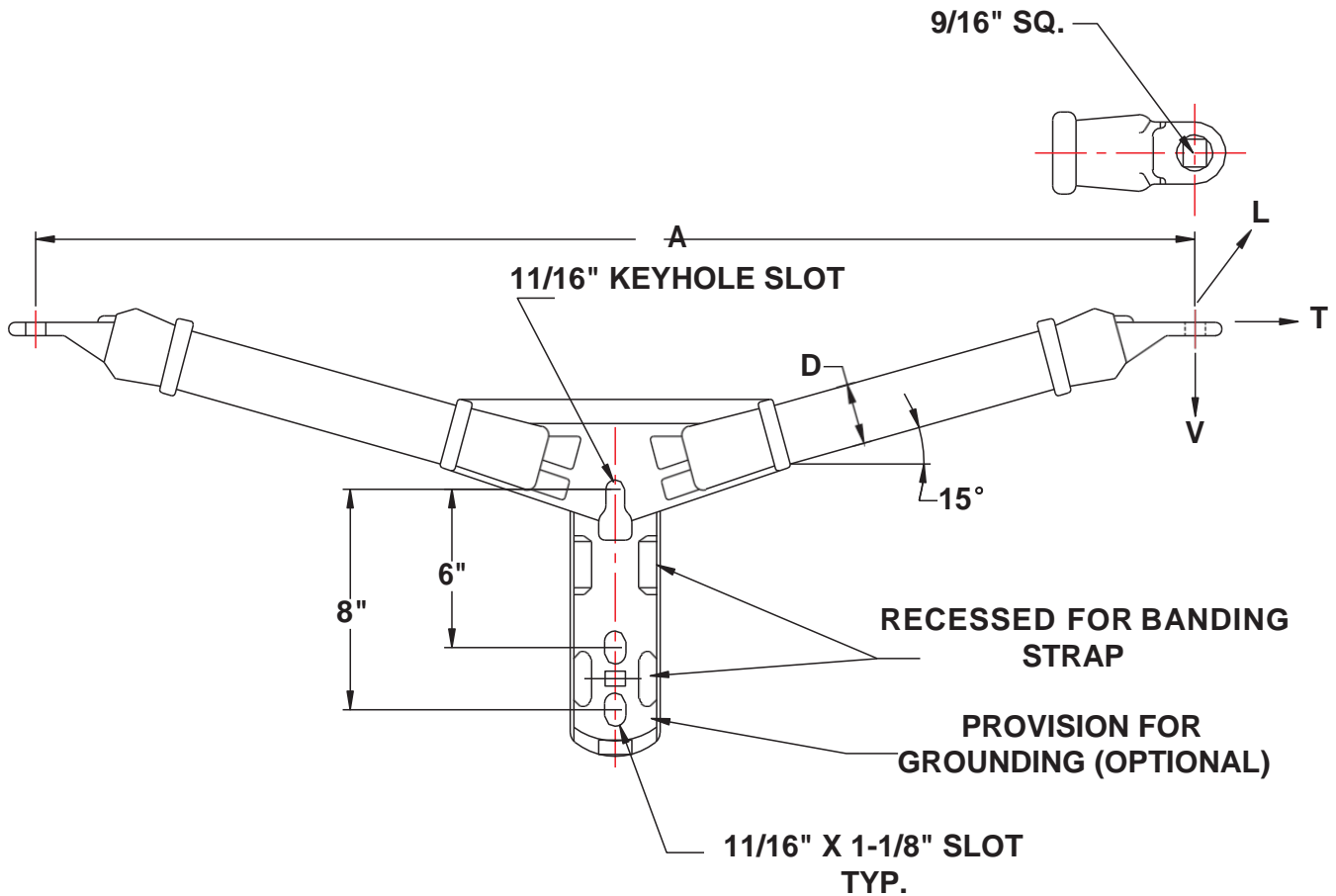
LENGTH: FOR OTHER LENGTHS(A-DIM) SUBSTITUTE LENGTH DESIRED FOR SUFFIX NO (EXAMPLE: FOR 19" LENGTH: SPVP-2-19)

THREADS: FOR 1-3/8" THREADS, ADD SUFFIX "1.375" TO CATALOG NUMBER (EXAMPLE: SPVP-2-19-1.375)

GROUNDING: TO SPECIFY 1/2-13 TAPPED HOLE FOR GROUNDING, ADD SUFFIX "4-13" TO CATALOG NUMBER (EXAMPLE: SPVP-2-19-4-13)



TWO PHASE SINGLE POSITION CUTOUT AND ARRESTER BRACKETS



CATALOG NUMBER	DIM IN INCHES		MIN. RATING (LBS)		
	A	D	VERT.-V	LONG-L	TRANS.-T
TP1CAB-1.5-36	36	1 1/2	1200	1200	10000
TP1CAB-1.5-42	42	1 1/2	950	950	10000
TP1CAB -1.5-48	48	1 1/2	900	900	10000

NOTES:

RODS: VEILED FIBERGLASS GRAY POLYESTER WITH ADDED ULTRAVIOLET PROTECTION

CASTING: DUCTILE IRON GRADE 654512 HOT DIP GALVANIZED PER ASTM A-153

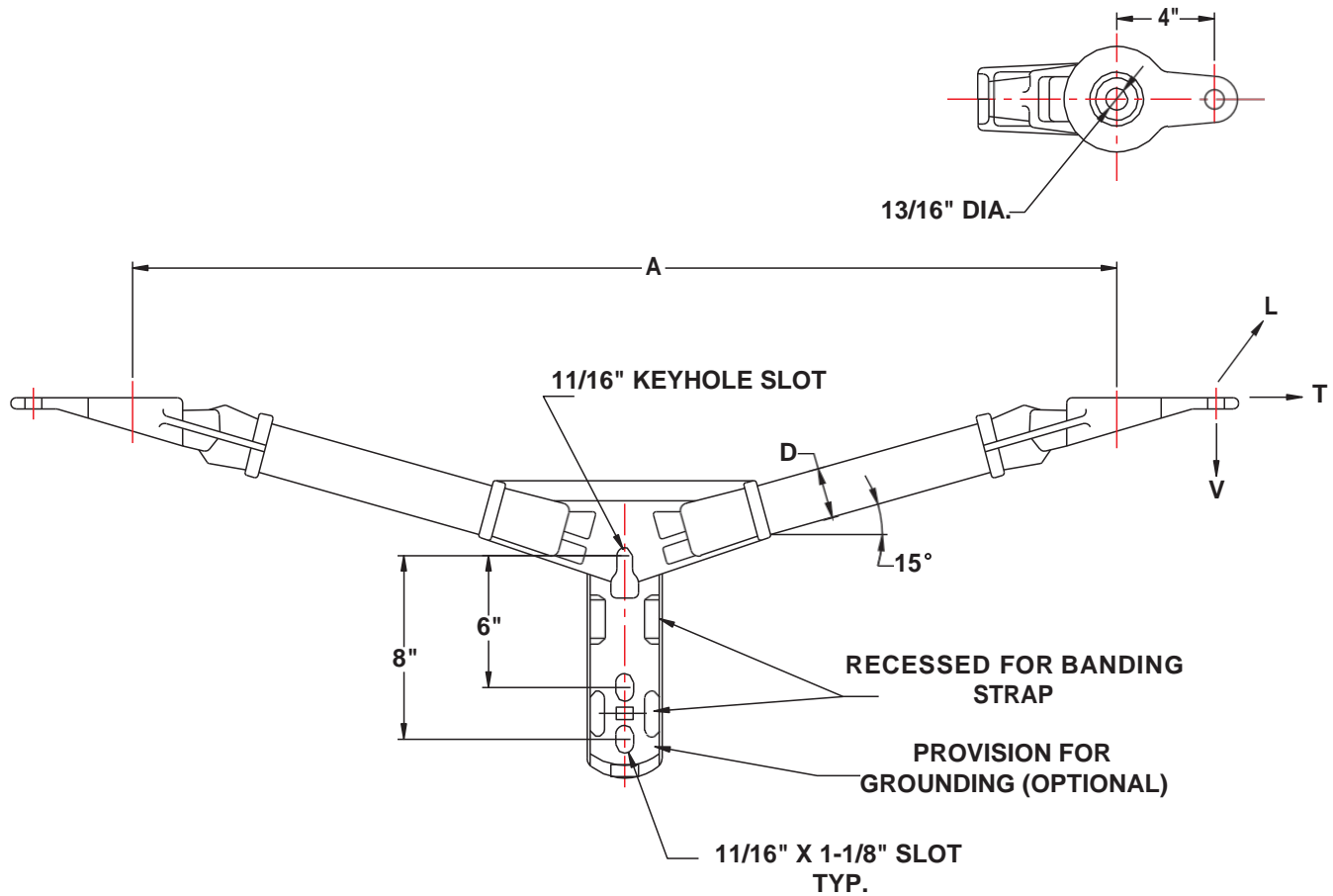
LENGTHS: FOR OTHER LENGTHS (A-DIM) SUBSTITUTE LENGTH DESIRED FOR SUFFIX NO (EXAMPLE: FOR 15" LENGTH: SPCC-2-15)

GROUNDING: TO SPECIFY 1/2-13 TAPPED HOLE FOR GROUNDING, ADD SUFFIX "4-13" TO CATALOG NUMBER (EXAMPLE: SPCC-2-15-4-13)

TO SPECIFY CAPTIVE CARRIAGE BOLTS, ADD SUFFIX "C" TO CATALOG NUMBER (EXAMPLE: SPCC-2-15-C)



TWO PHASE SINGLE POSITION APPARATUS BRACKETS



CATALOG NUMBER	DIM IN INCHES		MIN. RATING (LBS)		
	A	D	VERT.-V	LONG-L	TRANS.-T
TPSP-1.5- 36	36	1 1/2	1200	950	10000
TPSP-1.5- 42	42	1 1/2	1050	800	10000
TPSP-1.5- 48	48	1 1/2	900	700	10000

NOTES:

RODS: VEILED FIBERGLASS GRAY POLYESTER WITH ADDED ULTRAVIOLET PROTECTION

CASTING: DUCTILE IRON GRADE 654512 HOT DIP GALVANIZED PER ASTM A-153

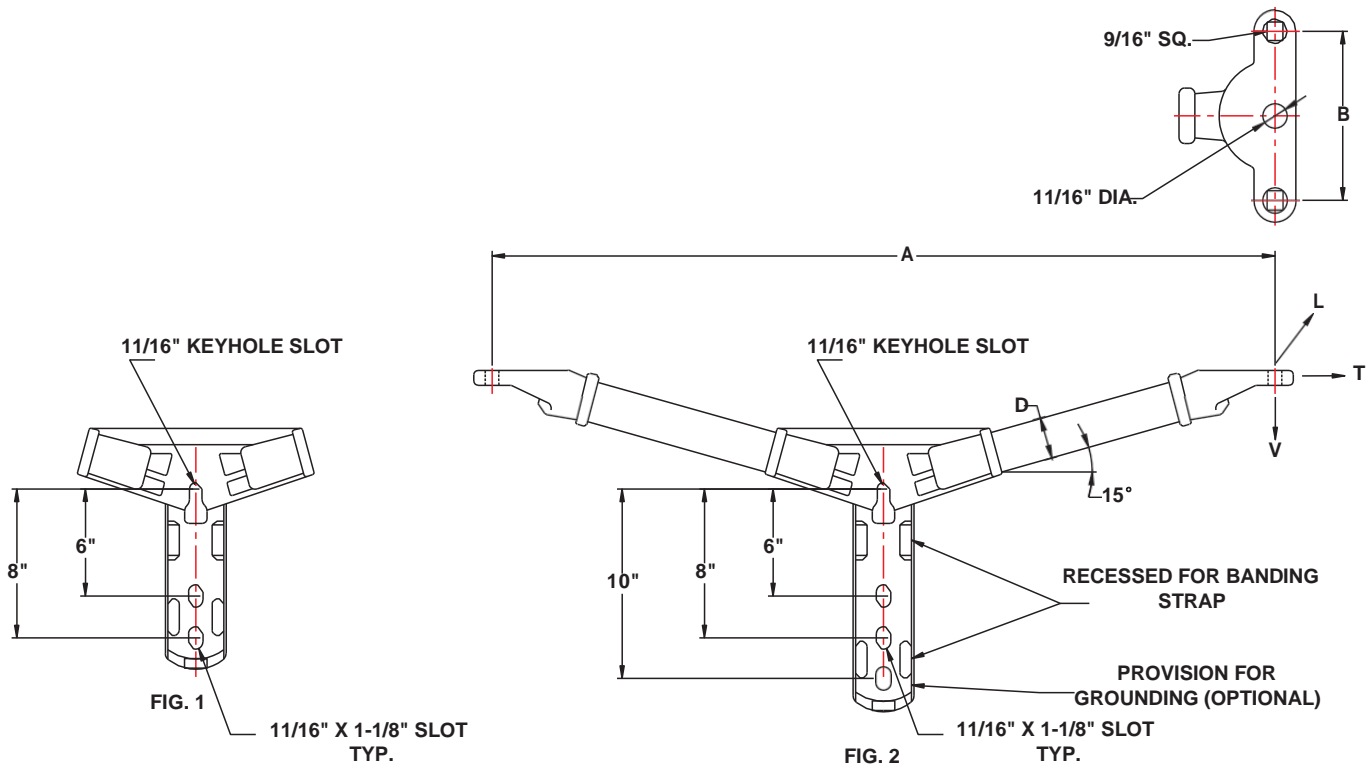
LENGTHS: FOR OTHER LENGTHS (A-DIM) SUBSTITUTE LENGTH DESIRED FOR SUFFIX NO (EXAMPLE: FOR 30" LENGTH: TPSP-1.5-30)

GROUNDING: TO SPECIFY 1/2-13 TAPPED HOLE FOR GROUNDING,ADD SUFFIX "4-13" TO CATALOG NUMBER (EXAMPLE: TPSP-1.5-30-4-13)

TO SPECIFY CAPTIVE CARRIAGE BOLTS, ADD SUFFIX "C" TO CATALOG NUMBER (EXAMPLE: TPSP -1.5-30-C)



TWO PHASE SINGLE POSITION CUTOUT AND ARRESTER BRACKETS



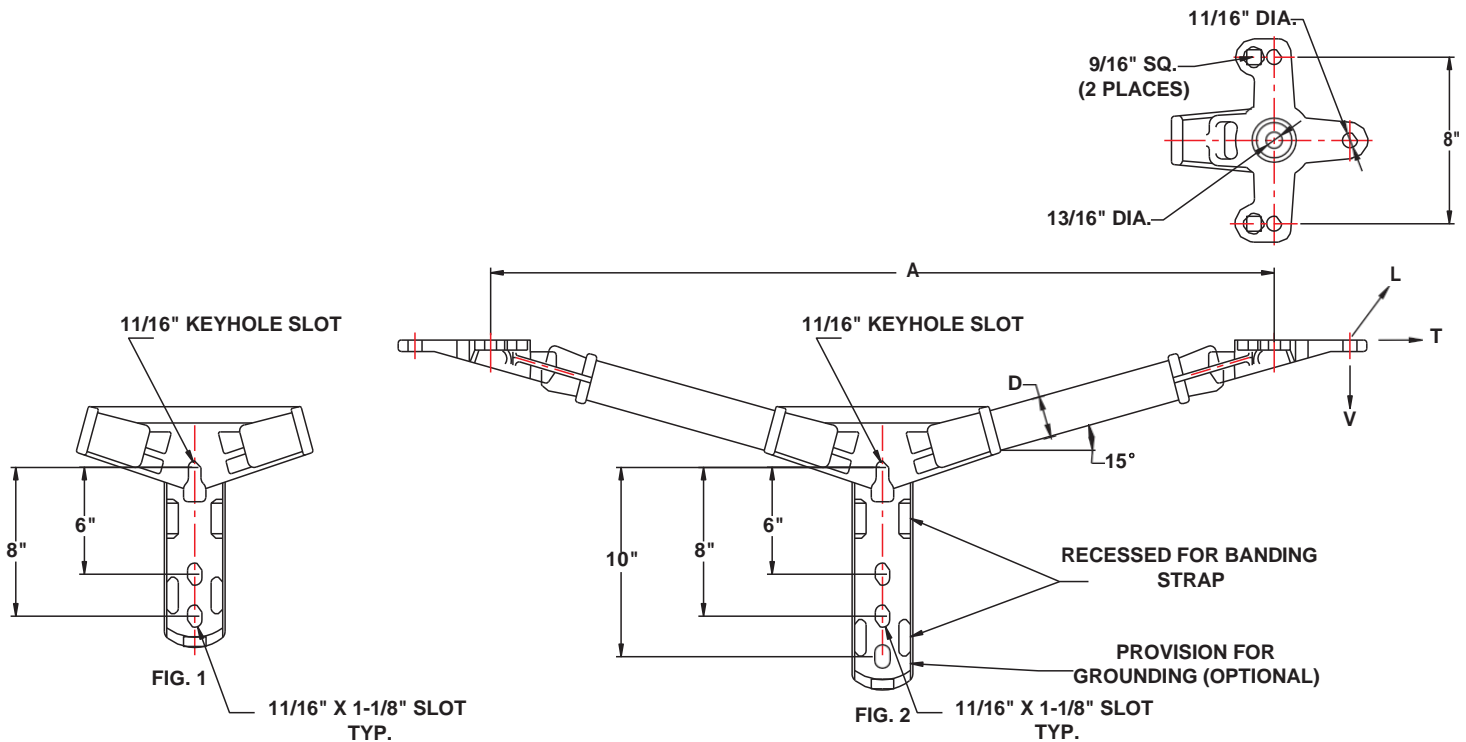
CATALOG NUMBER	BASE	END FITTING	DIM IN INCHES			MIN. RATING (LBS)
	FIG.	FIG.	A	D	B	VERT.-T
TPTP-1.5-36	1	3	36	1 1/2	12	1200
TPTP-1.5-42	1	3	42	1 1/2	12	950
TPTP-1.5-48	1	3	48	1 1/2	12	900
TPTP-2- 36	2	3	36	2	12	2300
TPTP-2- 42	2	3	42	2	12	2000
TPTP-2- 48	2	3	48	2	12	1750

NOTES:

RODS: VEILED FIBERGLASS GRAY POLYESTER WITH ADDED ULTRAVIOLET PROTECTION
 CASTING: DUCTILE IRON GRADE 654512 HOT DIP GALVANIZED PER ASTM A-153
 LENGTHS: FOR OTHER LENGTHS (A-DIM) SUBSTITUTE LENGTH DESIRED FOR SUFFIX NO (EXAMPLE: FOR 30" LENGTH: TPTP-2-30)
 GROUNDING: TO SPECIFY 1/2-13 TAPPED HOLE FOR GROUNDING, ADD SUFFIX "4-13" TO CATALOG NUMBER (EXAMPLE: TPTP-2-30-4-13)
 TO SPECIFY CAPTIVE CARRIAGE BOLTS, ADD SUFFIX "C" TO CATALOG NUMBER (EXAMPLE: TPTP-2-30-C)



TWO PHASE SINGLE POSITION CUTOUT AND ARRESTER BRACKETS



CATALOG NUMBER	BASE	END FITTING	DIM IN INCHES		MIN. RATING (LBS)		
	FIG.	FIG.	A	D	VERT.-V	LONG-L	TRANS.-T
TPCC-1.5-36	1	3	36	1 1/2	1200	900	10000
TPCC-1.5-42	1	3	42	1 1/2	950	800	10000
TPCC-1.5-48	1	3	48	1 1/2	900	700	10000
TPCC- 2-36	2	3	36	2	2200	1500	10000
TPCC- 2-42	2	3	42	2	1900	1300	10000
TPCC-2-48	2	3	48	2	1650	1100	10000

NOTES:

RODS: VEILED FIBERGLASS GRAY POLYESTER WITH ADDED ULTRAVIOLET PROTECTION

CASTING: DUCTILE IRON GRADE 654512 HOT DIP GALVANIZED PER ASTM A-153

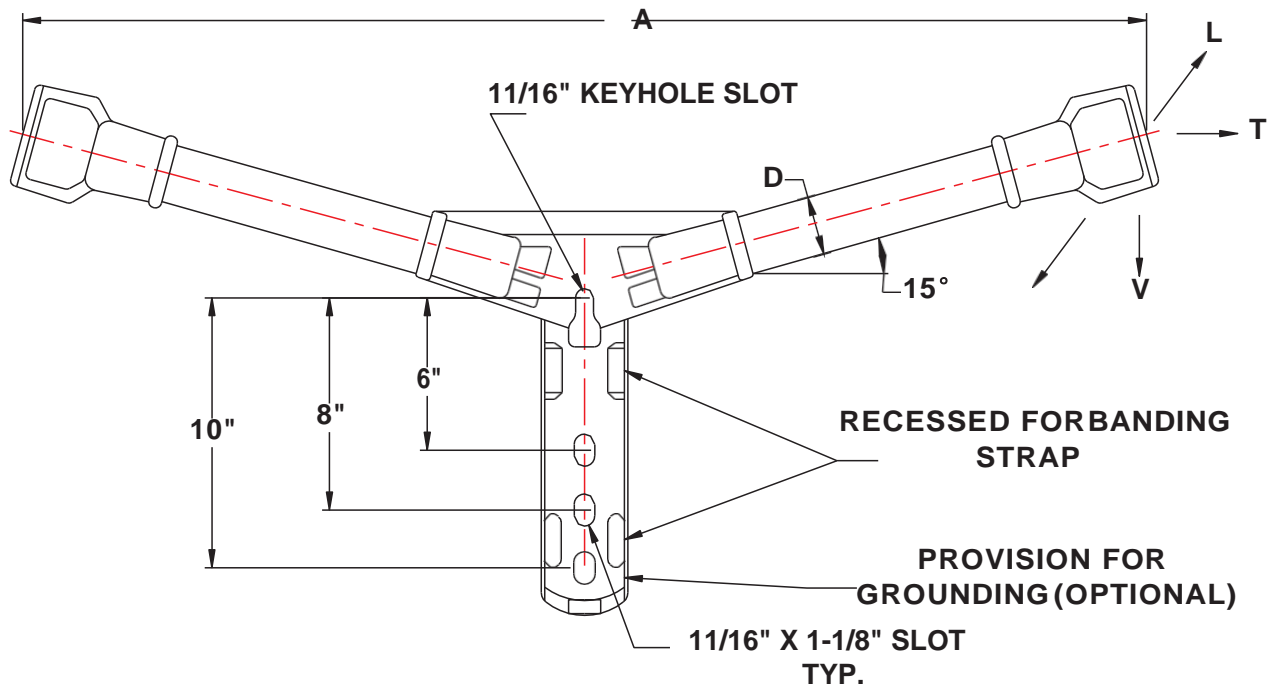
LENGTHS: FOR OTHER LENGTHS (A-DIM) SUBSTITUTE LENGTH DESIRED FOR SUFFIX NO (EXAMPLE: FOR 30" LENGTH: TPCC-2-30)

GROUNDING: TO SPECIFY 1/2-13 TAPPED HOLE FOR GROUNDING, ADD SUFFIX "4-13" TO CATALOG NUMBER (EXAMPLE: TPCC-2-30-4-13)

TO SPECIFY CAPTIVE CARRIAGE BOLTS, ADD SUFFIX "C" TO CATALOG NUMBER (EXAMPLE: TPCC-2-30-C)



TWO PHASE BRACKETS FOR LINE POST INSULATORS BRACKETS



CATALOG NUMBER	DIM IN INCHES		MINIMUM RATING (LBS)		
	A	D	VERT.-V	LONG-L	TRANS.-T
TPLP-2-24	24	2	2400	1850	2500
TPLP-2-28	28	2	2250	1700	2500
TPLP-2-34	34	2	2100	1500	2500
TPLP-2-42	42	2	1850	1250	2500

NOTES:

RODS: VEILED FIBERGLASS GRAY POLYESTER WITH ADDED ULTRAVIOLET PROTECTION

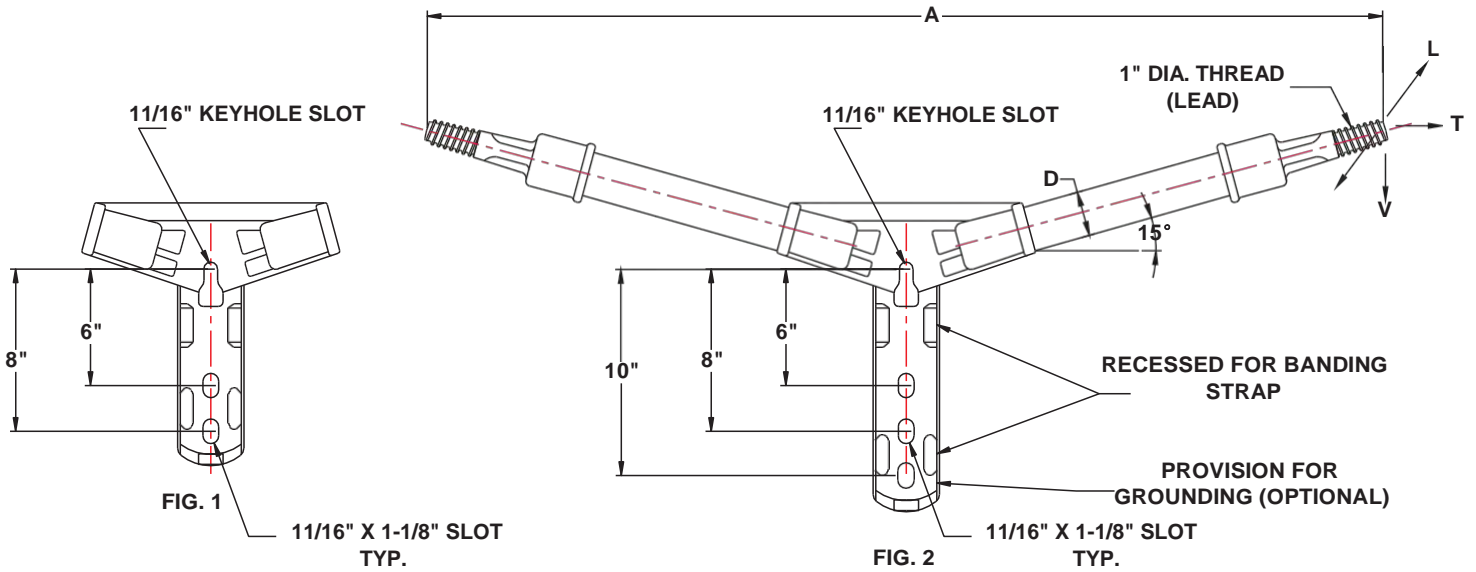
CASTING: DUCTILE IRON GRADE 654512 HOT DIP GALVANIZED PER ASTM A-153

LENGTHS: FOR OTHER LENGTHS (A-DIM) SUBSTITUTE LENGTH DESIRED FOR SUFFIX NO (EXAMPLE: FOR 30" LENGTH: TPLP-2-30)

GROUNDING: TO SPECIFY 1/2-13 TAPPED HOLE FOR GROUNDING, ADD SUFFIX "4-13" TO CATALOG NUMBER (EXAMPLE: TLP-2-30-4-13)



TWO PHASE INSULATOR BRACKETS STRAIGHT PIN



CATALOG NUMBER	FIG.	DIM IN INCHES		MINIMUM RATING (LBS)		
		A	D	VERT.-V	LONG-L	TRANS.-T
TPHP-1.5-30	1	30	1 1/2	1500	1500	1500
TPHP-1.5-36	1	36	1 1/2	1200	1200	1500
TPHP-1.5-40	1	40	1 1/2	1000	1000	1500
TPHP-1.5-48	1	48	1 1/2	900	900	1500
TPHP-2-36	2	36	2	2550	2000	2500
TPHP-2-48	2	48	2	2250	1900	2500
TPHP-2-54	2	54	2	2100	1850	2500

NOTES:

RODS: VEILED FIBERGLASS GRAY POLYESTER WITH ADDED ULTRAVIOLET PROTECTION

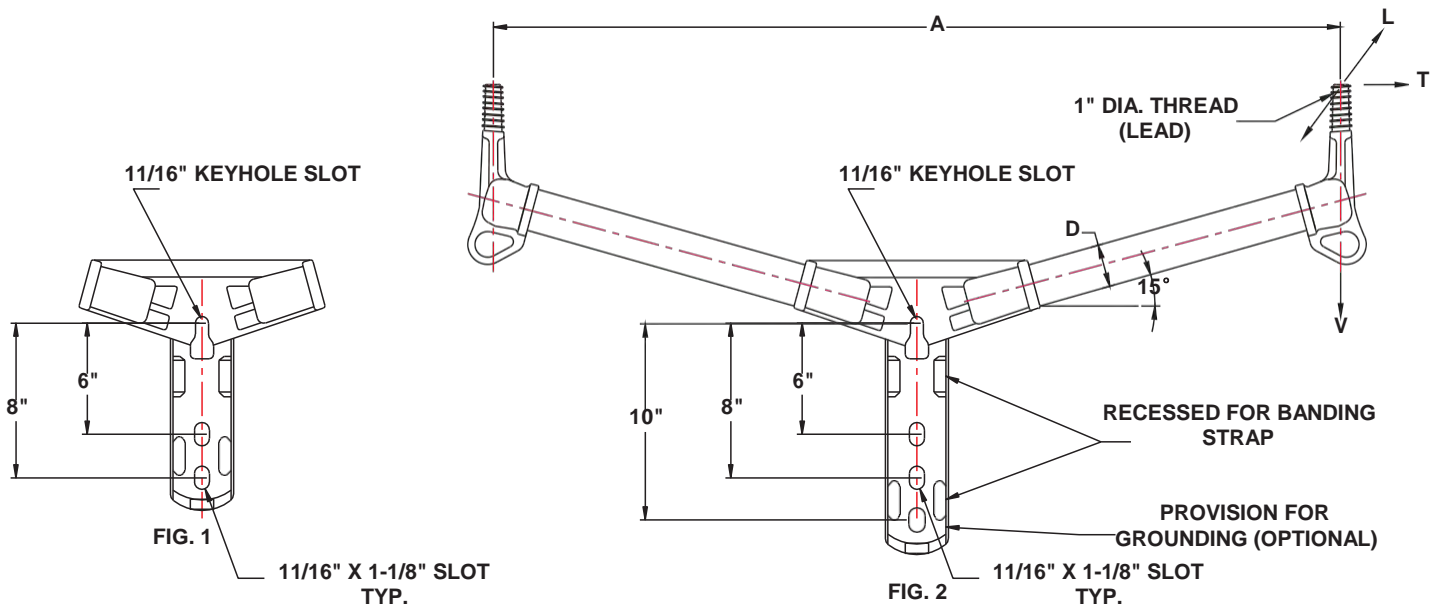
CASTING: DUCTILE IRON GRADE 654512 HOT DIP GALVANIZED PER ASTM A-153

LENGTHS: FOR OTHER LENGTHS (A-DIM) SUBSTITUTE LENGTH DESIRED FOR SUFFIX NO (EXAMPLE: FOR 60" LENGTH: TPHP-2-60)

THREADS: FOR OTHER LENGTHS (A-DIM.) SUBSTITUTE LENGTH DESIRED FOR SUFFIX NO (EXAMPLE: TPHP-2-60-1.375)

GROUNDING: TO SPECIFY 1/2-13 TAPPED HOLE FOR GROUNDING, ADD SUFFIX "4-13" TO CATALOG NUMBER (EXAMPLE: TLP-2-60-4-13)

TWO PHASE INSULATOR BRACKETS VERTICAL PIN



CATALOG NUMBER	FIG	DIM IN INCHES		MINIMUM RATING (LBS)		
		A	D	VERT.-V	LONG-L	TRANS.-T
TPVP-1.5-30	1	30	1.5	1700	1100	2000
TPVP-1.5-36	1	36	1.5	1500	900	2000
TPVP-1.5-40	1	40	1.5	1300	850	2000
TPVP-1.5-48	1	48	1.5	1000	700	2000
TPVP-1.5-60	1	60	1.5	800	550	2000
TPVP-2-36	2	36	2	2550	2000	2500
TPVP-2-42	2	42	2	2400	1950	2500
TPVP-2-48	2	48	2	2400	2000	2500
TPVP-2-54	2	54	2	2200	1900	2500
TPVP-2-60	2	60	2	2000	1850	2500
TPVP-2-72	2	72	2	1800	1750	2500

NOTES:

RODS: VEILED FIBERGLASS GRAY POLYESTER WITH ADDED ULTRAVIOLET PROTECTION

CASTINGS: DUCTILE IRON GRADE 654512 HOT DIP GALVANIZED PER ASTM A-153

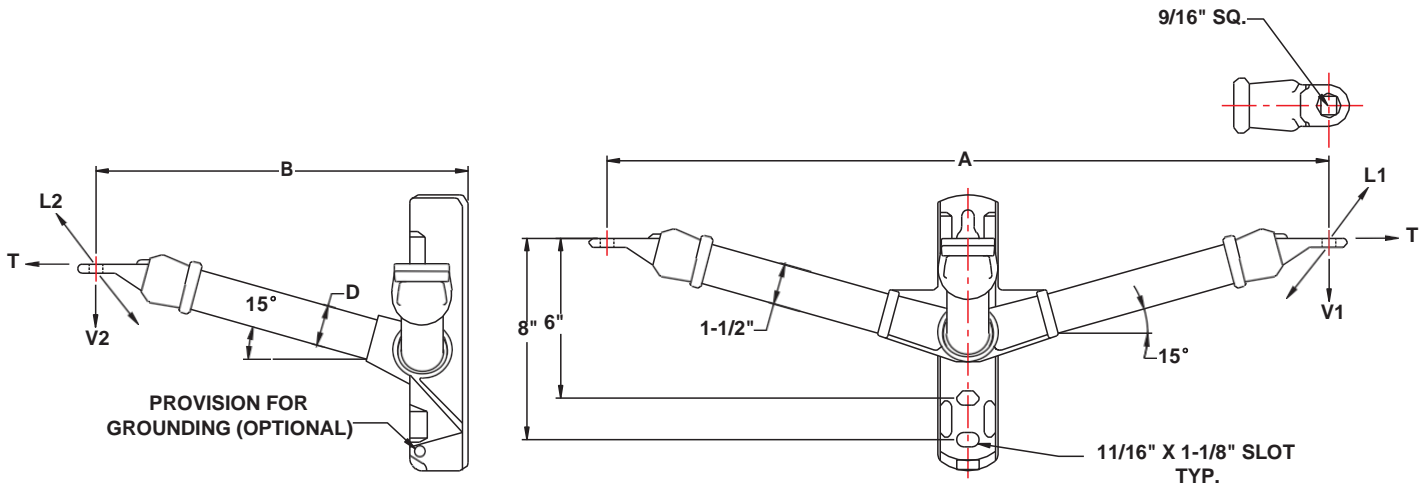
LENGTH: FOR OTHER LENGTHS (A-DIM) SUBSTITUTE LENGTH DESIRED FOR SUFFIX NO (EXAMPLE: FOR 60" LENGTH: TPHP-2-60)

THREADS: FOR OTHER LENGTHS (A-DIM.) SUBSTITUTE LENGTH DESIRED FOR SUFFIX NO (EXAMPLE: TPHP-2-60-1.375)

GROUNDING: TO SPECIFY 1/2-13 TAPPED HOLE FOR GROUNDING, ADD SUFFIX "4-13" TO CATALOG NUMBER (EXAMPLE: TLP-2-60-4-13)



THREE PHASE SINGLE POSITION CUTOUT AND ARRESTER BRACKETS



CATALOG NUMBER	DIM IN INCHES		MIN. RATING (LBS)				
	A	B	VERT. -V		LONG-V		TRANS.-T
			V1	V2	L1	L2	T
TP1CA-1.5-36	36	12 3/4	1200	1700	1200	1700	10000
TP1CA-1.5-42	42	12 3/4	900	1700	900	1700	10000
TP1CA-1.5-48	48	12 3/4	600	1700	600	1700	10000

NOTES:

RODS: VEILED FIBERGLASS GRAY POLYESTER WITH ADDED ULTRAVIOLET PROTECTION

CASTING: DUCTILE IRON GRADE 654512 HOT DIP GALVANIZED PER ASTM A-153

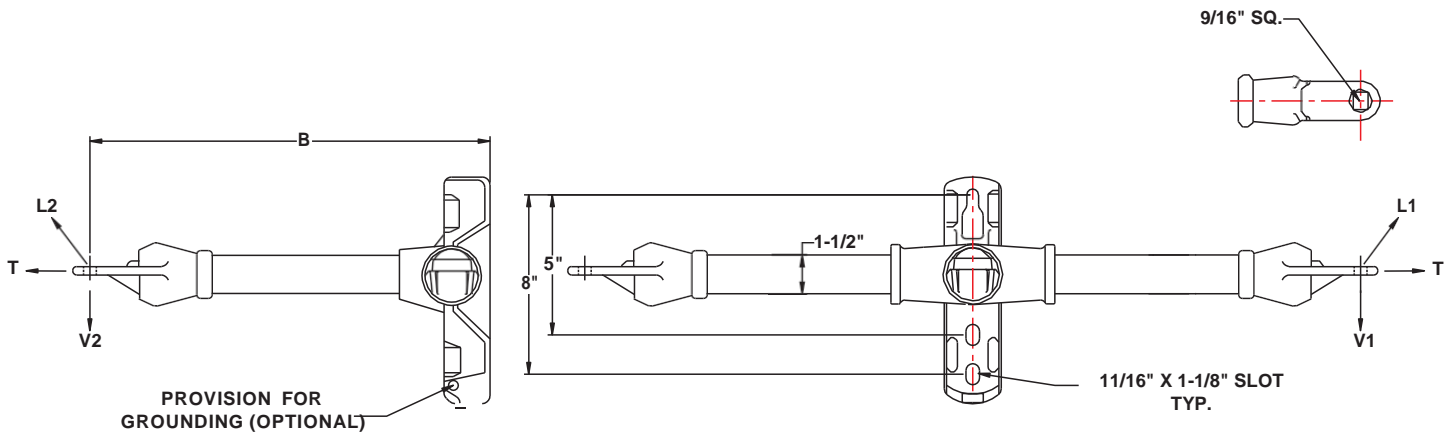
LENGTHS: FOR OTHER LENGTHS (A-DIM) SUBSTITUTE LENGTH DESIRED FOR SUFFIX NO (EXAMPLE: FOR 30" LENGTH: TP1CA-1.5-30)

GROUNDING: TO SPECIFY 1/2-13 TAPPED HOLE FOR GROUNDING, ADD SUFFIX "4-13" TO CATALOG NUMBER (EXAMPLE: TP1CA-1.5--30-4-13)

TO SPECIFY CAPTIVE CARRIAGE BOLTS, ADD SUFFIX "C" TO CATALOG NUMBER (EXAMPLE: TP1CA-1.5-30-C)



THREE PHASE 2 POSITION CUTOUT AND ARRESTER BRACKETS



CATALOG NUMBER	DIM IN INCHES		MIN. RATING (LBS)				
	A	B	VERT. -V		LONG-V		TRANS.-T
			V1	V2	L1	L2	T
TP1CA-0-1.5-36	36	12 3/4	1200	1700	1200	1700	10000
TP1CA-0-1.5-42	42	12 3/4	950	1700	900	1700	10000
TP1CA-0-1.5-48	48	12 3/4	600	1700	600	1700	10000

NOTES:

RODS: VEILED FIBERGLASS GRAY POLYESTER WITH ADDED ULTRAVIOLET PROTECTION

CASTING: DUCTILE IRON GRADE 654512 HOT DIP GALVANIZED PER ASTM A-153

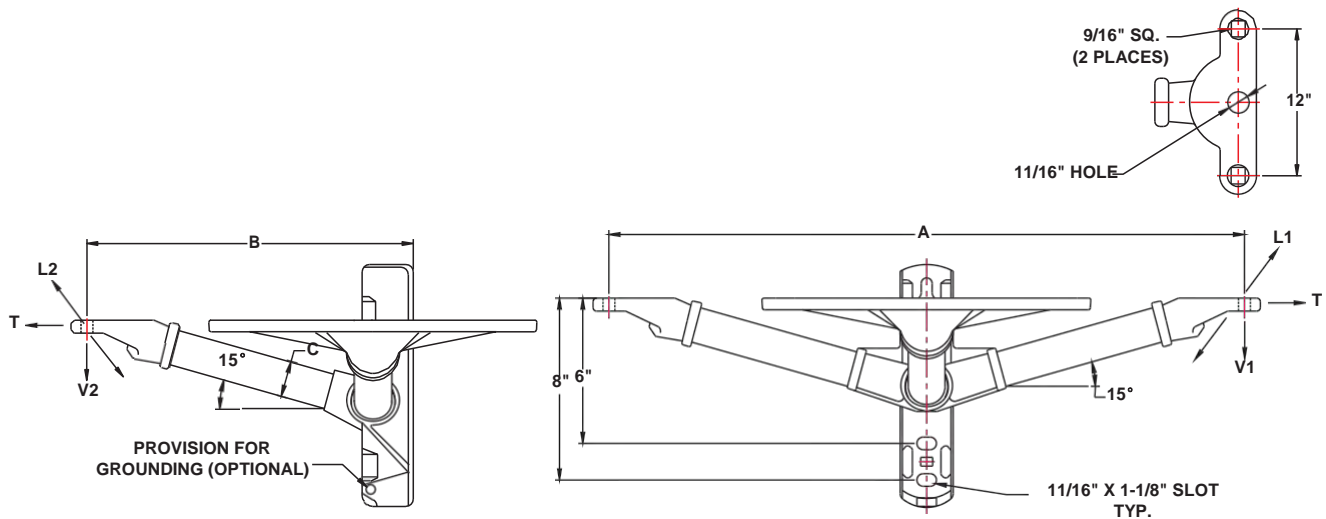
LENGTHS: FOR OTHER LENGTHS (A-DIM) SUBSTITUTE LENGTH DESIRED FOR SUFFIX NO (EXAMPLE: FOR 30" LENGTH: TP1CA-0-1.5-30)

GROUNDING: TO SPECIFY 1/2-13 TAPPED HOLE FOR GROUNDING, ADD SUFFIX "4-13" TO CATALOG NUMBER (EXAMPLE: TP1CA-0-1.5--30-4-13)

TO SPECIFY CAPTIVE CARRIAGE BOLTS, ADD SUFFIX "C" TO CATALOG NUMBER (EXAMPLE: TP1CA-0-1.5-30-C)



THREE PHASE 2 POSITION CUTOUT AND ARRESTER BRACKETS



CATALOG NUMBER	DIM IN INCHES			MIN. RATING (LBS)				
	A	C	B	VERT. -V		LONG-V		TRANS.-T
				V1	V2	L1	L2	T
TP2CA-1.5-36	36	1 1/2	12	1200	1700	900	1400	10000
TP2CA-1.5-42	42	1 1/2	12	950	1700	800	1400	10000
TP2CA-1.5-48	48	1 1/2	12	900	1700	700	1400	10000

NOTES:

RODS: VEILED FIBERGLASS GRAY POLYESTER WITH ADDED ULTRAVIOLET PROTECTION

CASTING: DUCTILE IRON GRADE 654512 HOT DIP GALVANIZED PER ASTM A-153

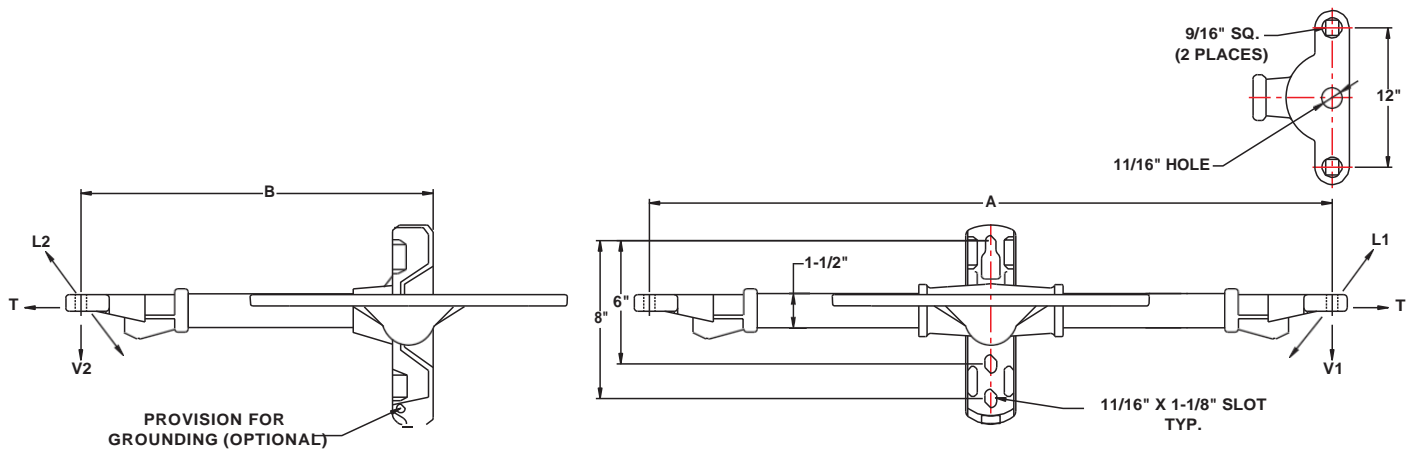
LENGTHS: FOR OTHER LENGTHS (A-DIM) SUBSTITUTE LENGTH DESIRED FOR SUFFIX NO (EXAMPLE: FOR 30" LENGTH: TP2CA-1.5-30)

GROUNDING: TO SPECIFY 1/2-13 TAPPED HOLE FOR GROUNDING, ADD SUFFIX "4-13" TO CATALOG NUMBER (EXAMPLE: TP2CA-1.5--30-4-13)

TO SPECIFY CAPTIVE CARRIAGE BOLTS, ADD SUFFIX "C" TO CATALOG NUMBER (EXAMPLE: TP2CA-1.5-30-C)



THREE PHASE 2 POSITION CUTOUT AND ARRESTER BRACKETS



CATALOG NUMBER	DIM IN INCHES		MIN. RATING (LBS)				
	A	B	VERT.		LONG.		TRANS.
			V1	V2	L1	L2	
TP2CA-0-1.5-36	36	12	1200	1700	900	1400	10000
TP2CA-0-1.5-42	42	12	950	1700	800	1400	10000
TP2CA-0-1.5-48	48	12	900	1700	700	1400	10000

NOTES:

RODS: VEILED FIBERGLASS GRAY POLYESTER WITH ADDED ULTRAVIOLET PROTECTION

CASTING: DUCTILE IRON GRADE 654512 HOT DIP GALVANIZED PER ASTM A-153

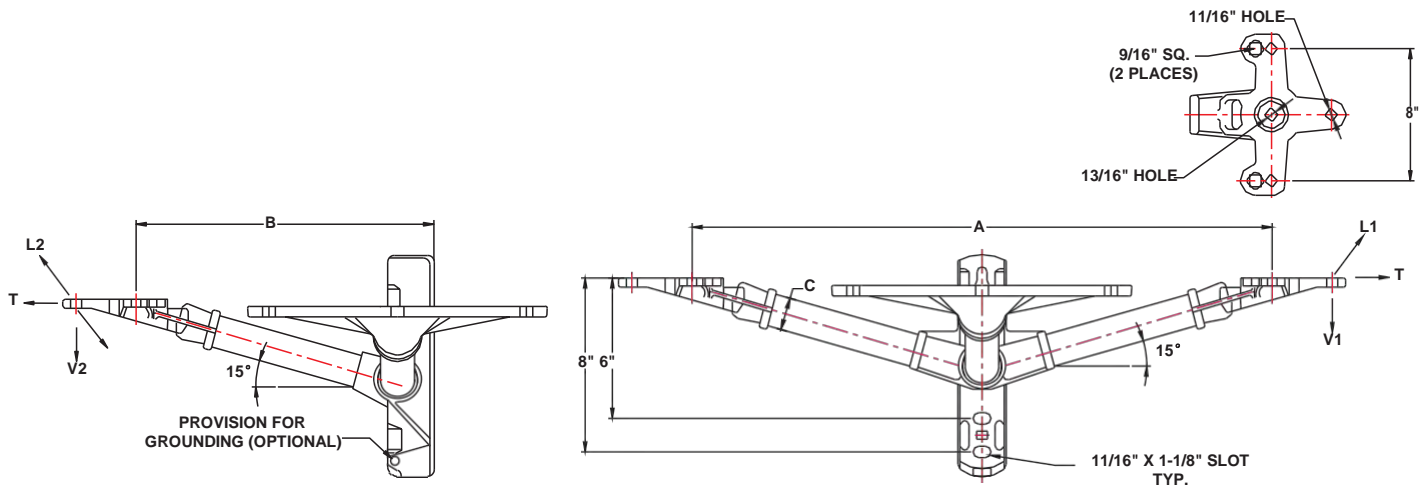
LENGTHS: FOR OTHER LENGTHS (A-DIM) SUBSTITUTE LENGTH DESIRED FOR SUFFIX NO (EXAMPLE: FOR 30" LENGTH: TP2CA-0-1.5-30)

GROUNDING: TO SPECIFY 1/2-13 TAPPED HOLE FOR GROUNDING, ADD SUFFIX "4-13" TO CATALOG NUMBER (EXAMPLE: TP2CA-0-1.5--30-4-13)

TO SPECIFY CAPTIVE CARRIAGE BOLTS, ADD SUFFIX "C" TO CATALOG NUMBER (EXAMPLE: TP2CA-0-1.5-30-C)



THREE PHASE 3 POSITION CUTOUT AND ARRESTER BRACKETS



CATALOG NUMBER	DIM IN INCHES			MIN. RATING (LBS)				
	A	C	B	VERT. -V		LONG-V		TRANS.-T
				V1	V2	L1	L2	T
TP3CA-1.5-36	36	1 1/2	12	1200	1700	900	1400	10000
TP3CA-1.5-42	42	1 1/2	13	900	1600	700	1300	10000
TP3CA-1.5-48	48	1 1/2	24	900	900	700	700	10000

NOTES:

RODS: VEILED FIBERGLASS GRAY POLYESTER WITH ADDED ULTRAVIOLET PROTECTION

CASTING: DUCTILE IRON GRADE 654512 HOT DIP GALVANIZED PER ASTM A-153

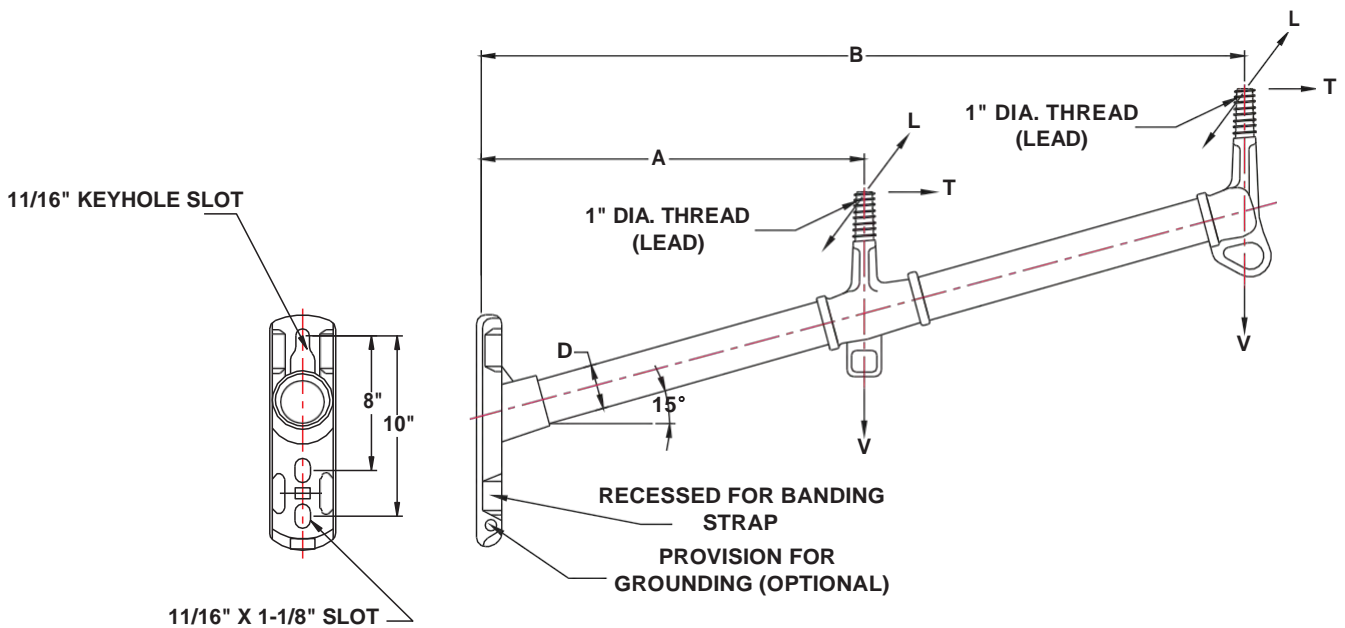
LENGTHS: FOR OTHER LENGTHS (A-DIM) SUBSTITUTE LENGTH DESIRED FOR SUFFIX NO (EXAMPLE: FOR 30" LENGTH: TP3CA-1.5-30)

GROUNDING: TO SPECIFY 1/2-13 TAPPED HOLE FOR GROUNDING, ADD SUFFIX "4-13" TO CATALOG NUMBER (EXAMPLE: TP3CA-1.5--30-4-13)

TO SPECIFY CAPTIVE CARRIAGE BOLTS, ADD SUFFIX "C" TO CATALOG NUMBER (EXAMPLE: TP3CA-1.5-30-C)



DOUBLE PHASE VERTICAL PIN ALLEY ARMS



CATALOG NUMBER	DIM IN INCHES		
	A	B	D
DVP-2-38	14	38	2.0
DVP-2-42	12	42	2.0

NOTES:

ROD: FIBERGLASS WITH ULTRAVIOLET PROTECTIVE COATING-MUNSEL GRAY.

CASTING: DUCTILE IRON GRADE 654512 HOT DIP GALVANIZED PER ASTM A-153.

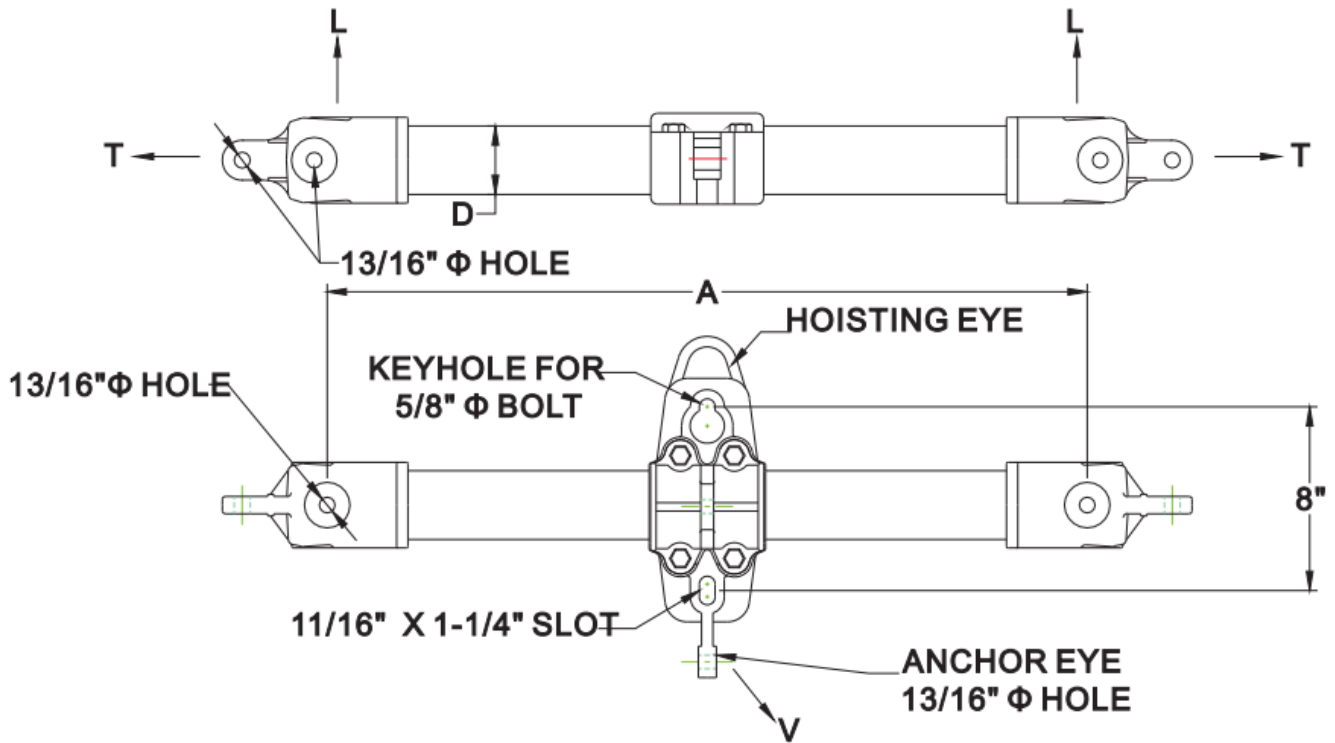
LENGTHS: FOR OTHER LENGTHS (A-DIM) SUBSTITUTE LENGTH DESIRED FOR SUFFIX NO (EXAMPLE: FOR 30" LENGTH: DVP-2-30)

THREADS: FOR OTHER LENGTHS (A-DIM.) SUBSTITUTE LENGTH DESIRED FOR SUFFIX NO

GROUNDING: TO SPECIFY 1/2-13 TAPPED HOLE FOR GROUNDING, ADD SUFFIX "4-13" TO CATALOG NUMBER



DEADEND CROSSARMS



CATALOG NUMBER	ROD OR TUBE	DIM IN INCHES		MINIMUM RATING (LBS)		
		A	D	ANCHOR EYE	LONG-L	TRANS.-T
DEX3-36R	ROD	36	3	25000	12000	10000
DEX3-42R	ROD	36	3	25000	10000	10000
DEX3-48R	ROD	40	3	25000	9500	10000
DEX3-54R	ROD	48	3	25000	9000	10000
DEX3-60R	ROD	60	3	25000	8500	10000
DEX3-36T	TUBE	36	3	25000	7000	10000
DEX3-42T	TUBE	42	3	25000	6000	10000
DEX3-48T	TUBE	48	3	25000	5000	10000
DEX3-54T	TUBE	54	3	25000	4500	10000
DEX3-60T	TUBE	60	3	25000	4000	10000

NOTES:

RODS: VEILED FIBERGLASS GRAY POLYESTER WITH ADDED ULTRAVIOLET PROTECTION

CASTING: DUCTILE IRON GRADE 654512 HOT DIP GALVANIZED PER ASTM A-153

LENGTHS: FOR OTHER LENGTHS (A-DIM) SUBSTITUTE LENGTH DESIRED FOR SUFFIX NO (EXAMPLE: FOR 42" LENGTH: DEX3-42R)

GROUNDING: TO SPECIFY 1/2-13 TAPPED HOLE FOR GROUNDING, ADD SUFFIX "4-13" TO CATALOG NUMBER (EXAMPLE: DEX3-42R-4-13)